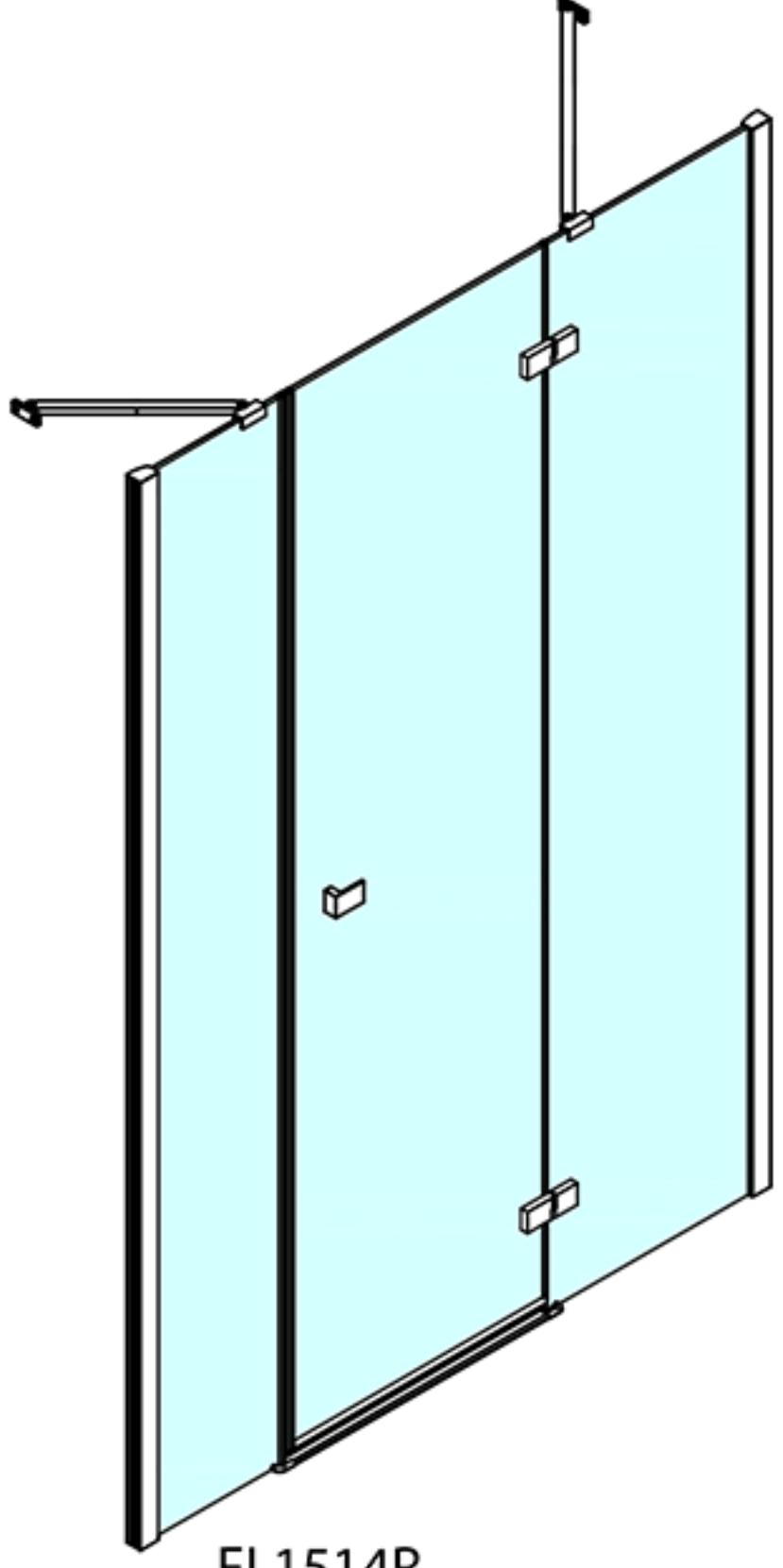
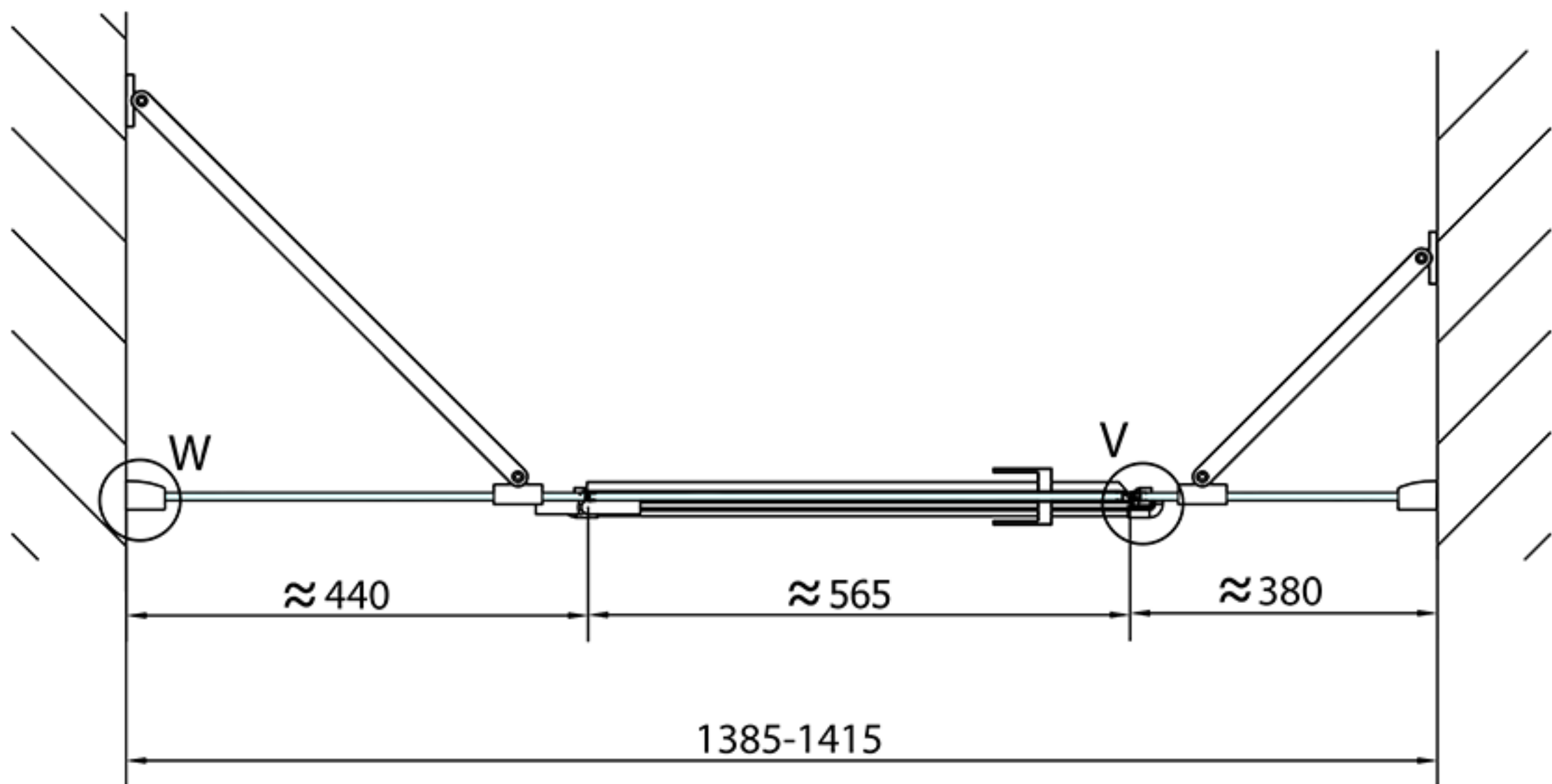


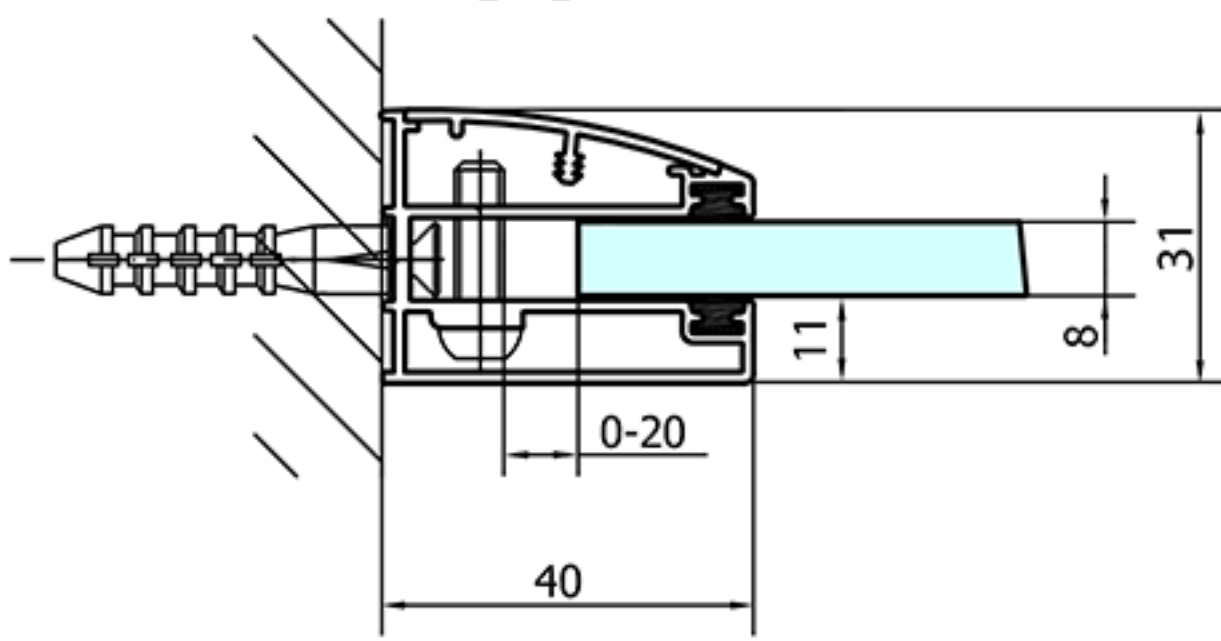
FL1514L



FL1514R



W



V

