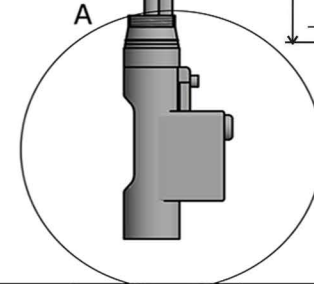
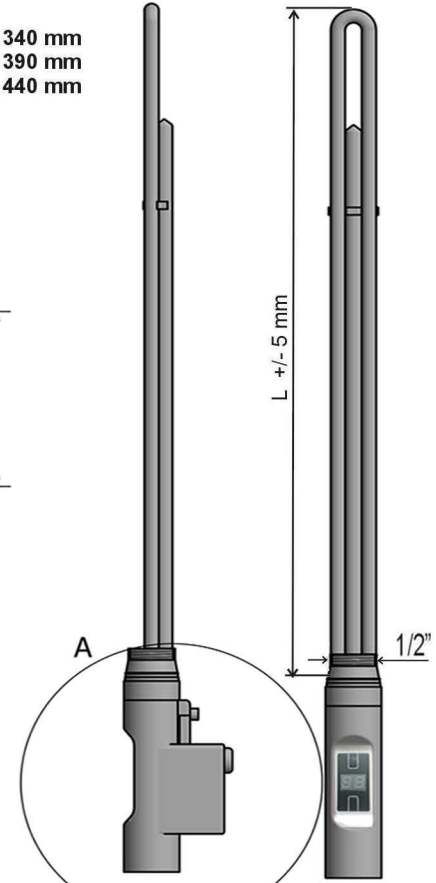
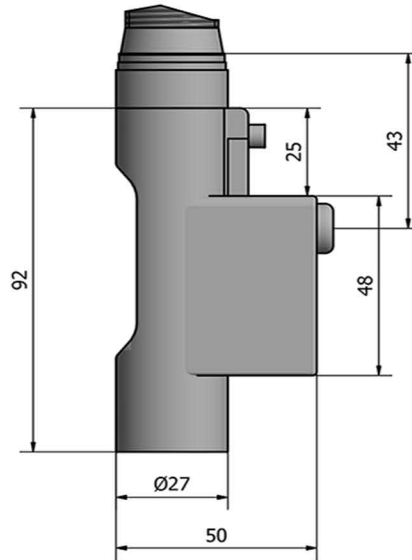
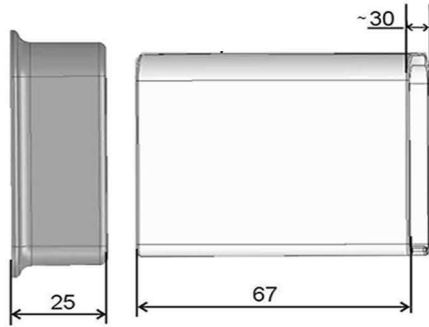
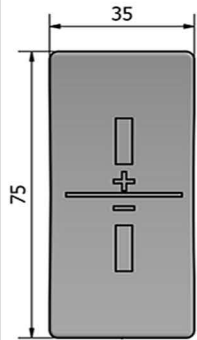


300 W/230 V L = 340 mm
 600 W/230 V , L = 390 mm
 900 W/230 V , L = 440 mm

A (1 : 1)



| | | | | | |
|---------|-------------|-----------------|-----------------|-------|-------|
| Kreslil | Kontroloval | Schwällil - dne | Datum | Datum | |
| | | | HVO-300/600/900 | | |
| | | | Vydání | 1 | 1 / 1 |