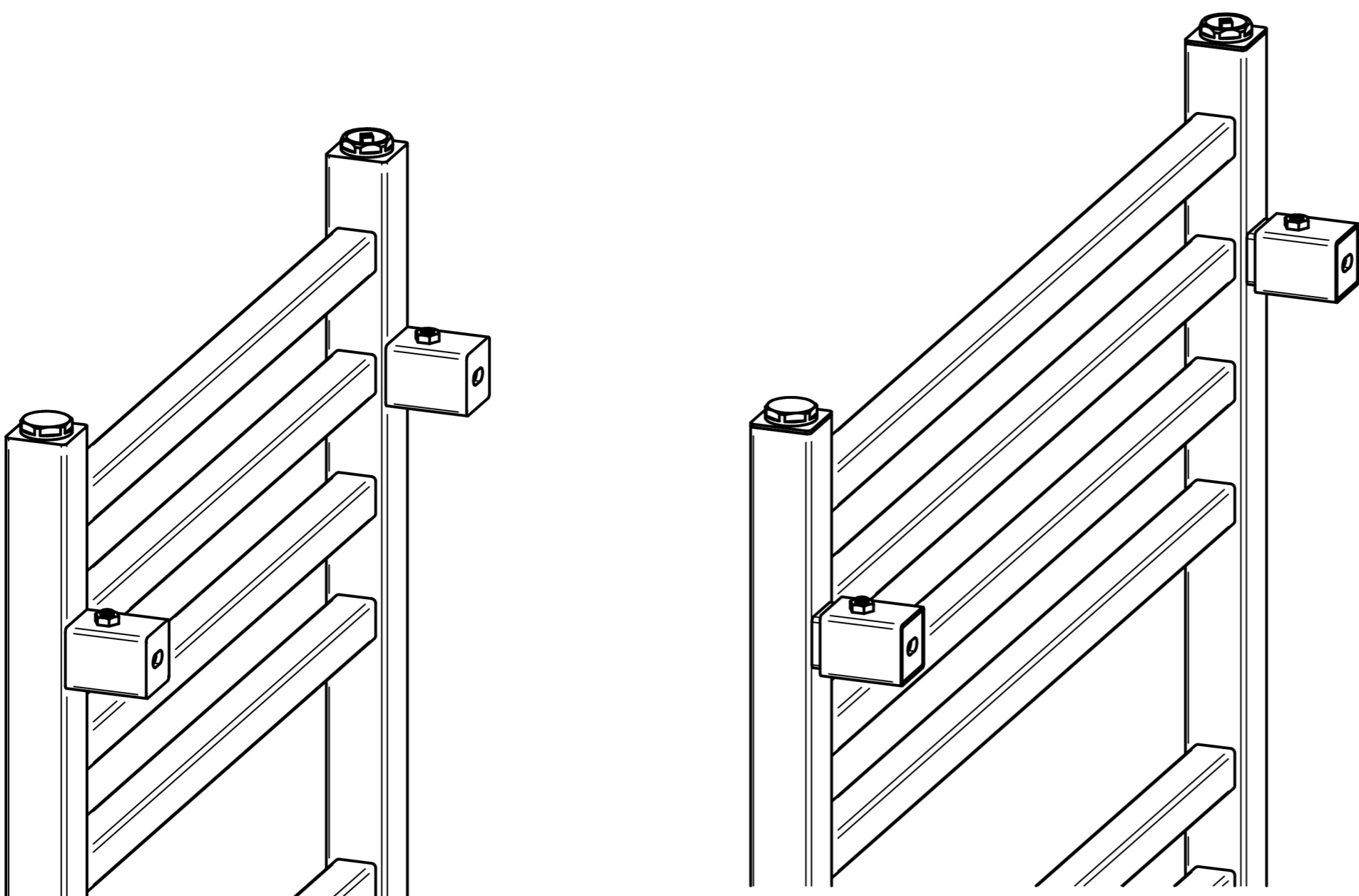
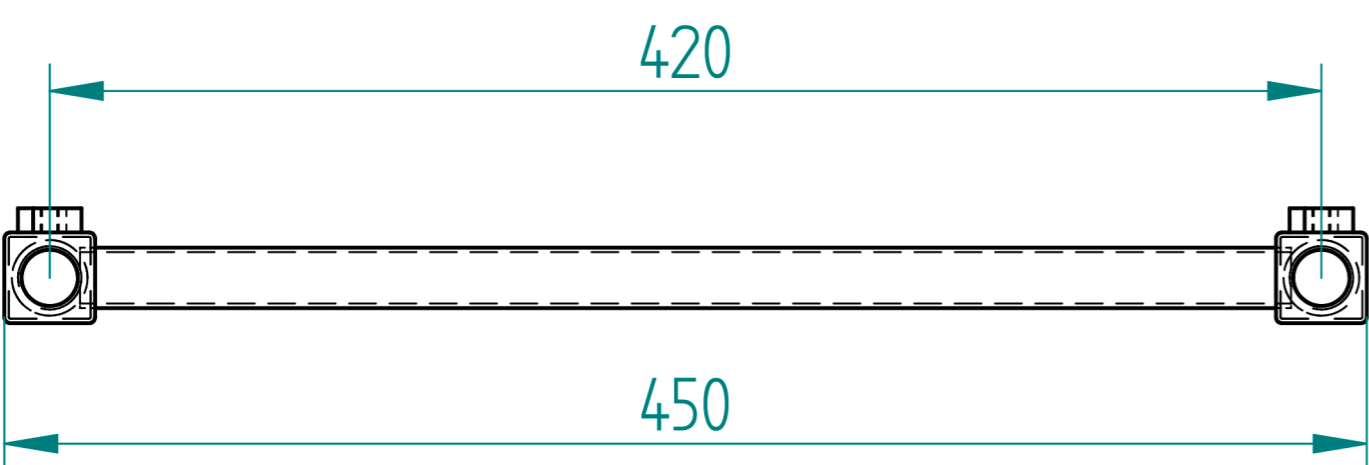
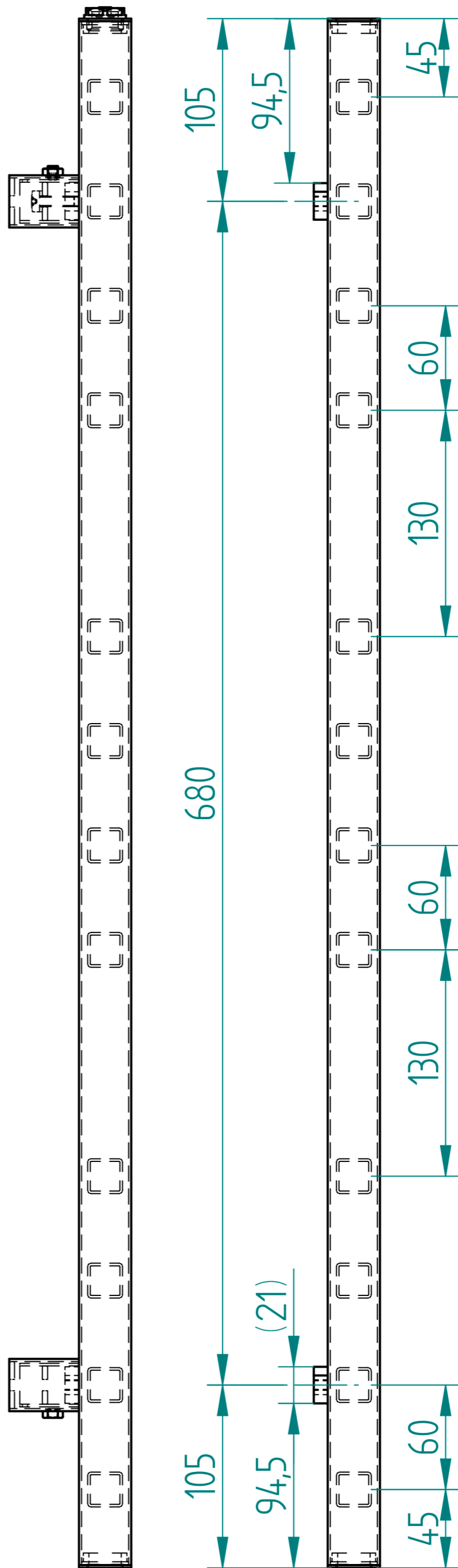
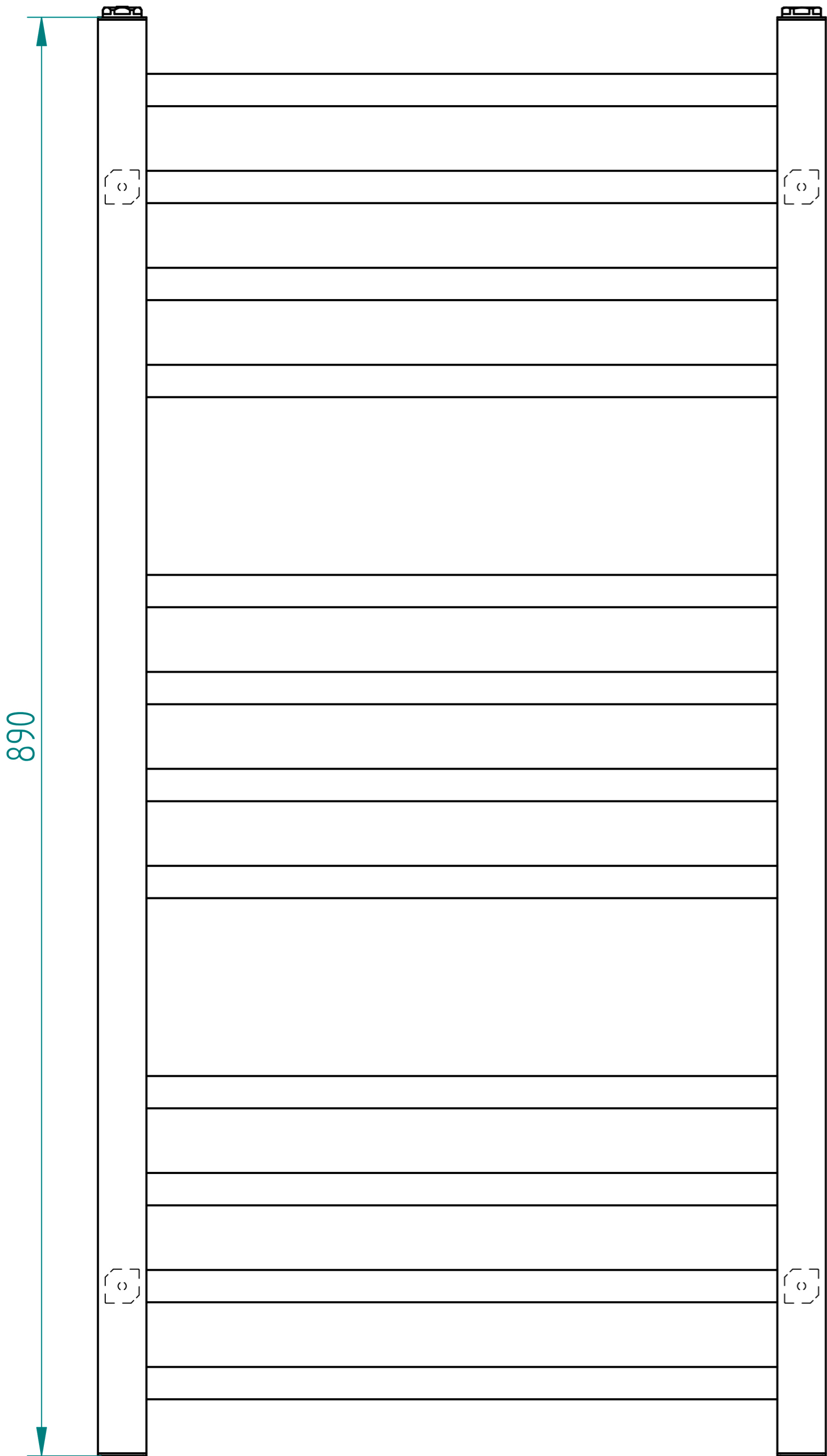
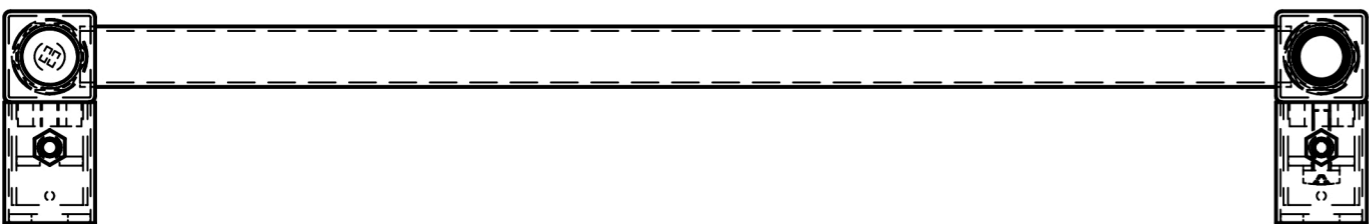


METRO 890/450



IR400

IR402