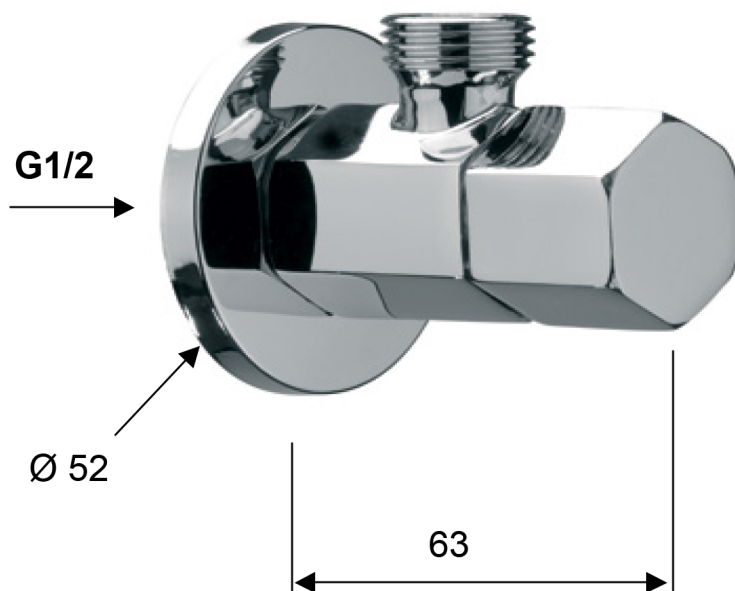


PY58

G1/2 - (G3/8) - (Ø 10)



MATERIALI MATERIALS

OTTONE CROMATO / CHROME PLATED BRASS

CROMATURA / CHROME PLATING

UNI EN 248