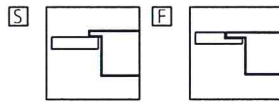
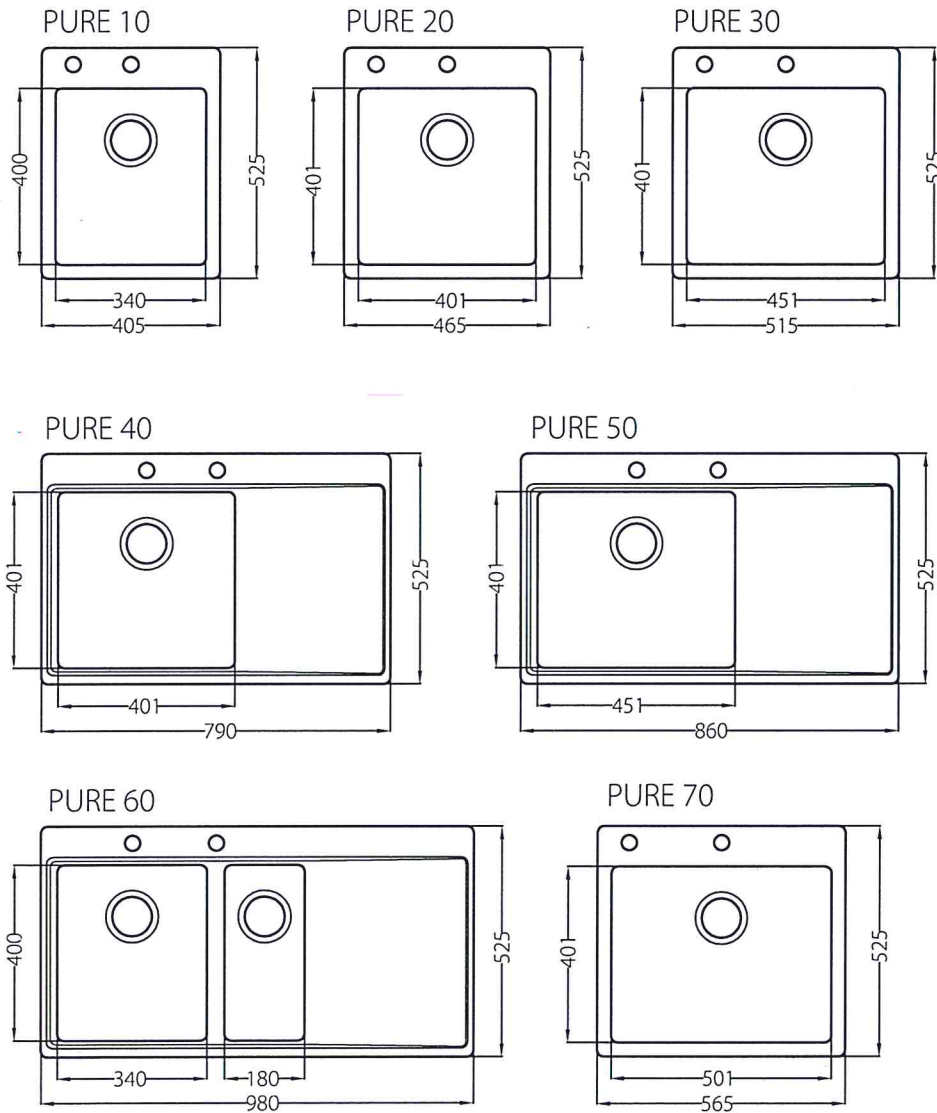
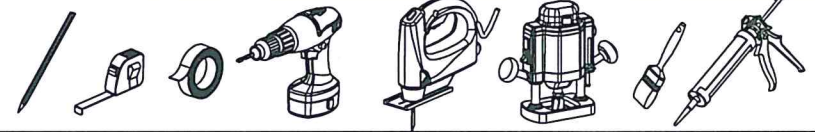
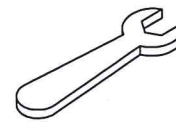


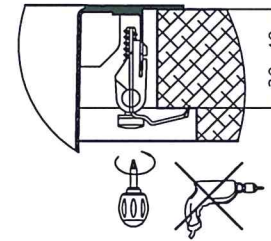
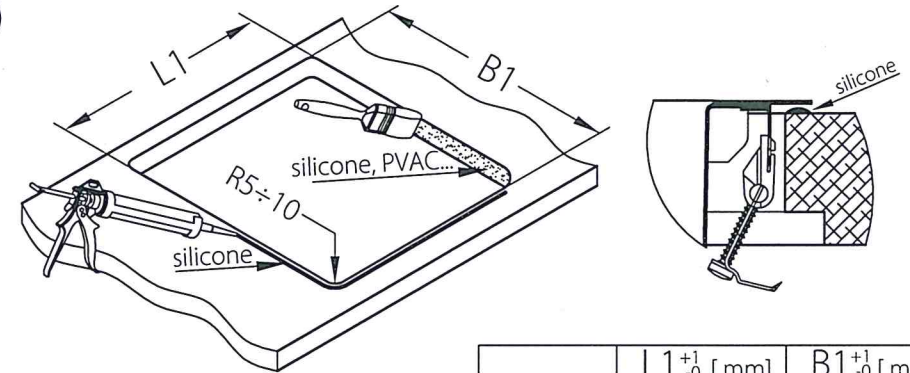
PURE-FS



Priporočila za vgradnjo
Montageempfehlung
Installation recommendation

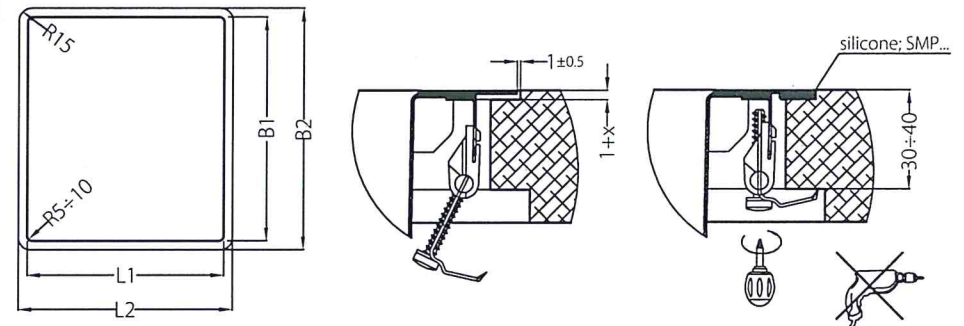


S



	$L1^{+1}_{-0}$ [mm]	$B1^{+1}_{-0}$ [mm]
PURE 10	389	509
PURE 20	449	509
PURE 30	495	509
PURE 40	776	513
PURE 50	846	513
PURE 60	966	513
PURE 70	545	509

F



	$L1^{+1}_{-0}$ [mm]	$B1^{+1}_{-0}$ [mm]	$L2^{+0.5}$ [mm]	$B2^{+0.5}$ [mm]
PURE 10	389	509	407	527
PURE 20	449	509	467	527
PURE 30	495	509	517	527
PURE 40	776	513	792	527
PURE 50	846	513	862	527
PURE 60	966	513	982	527
PURE 70	545	509	567	527