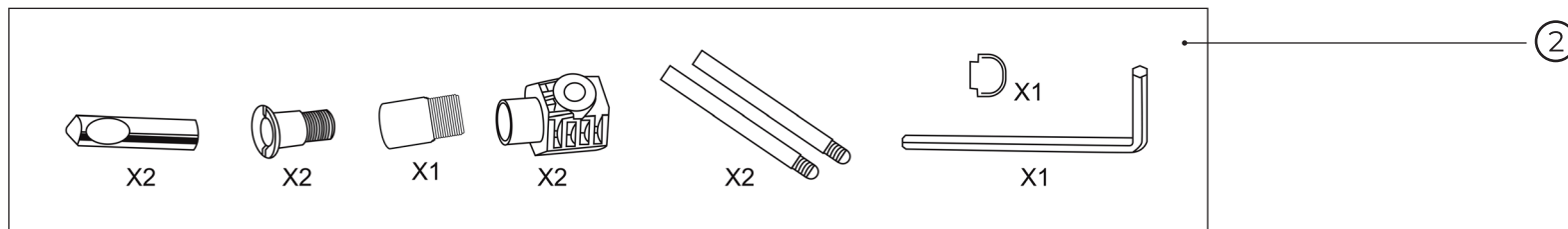
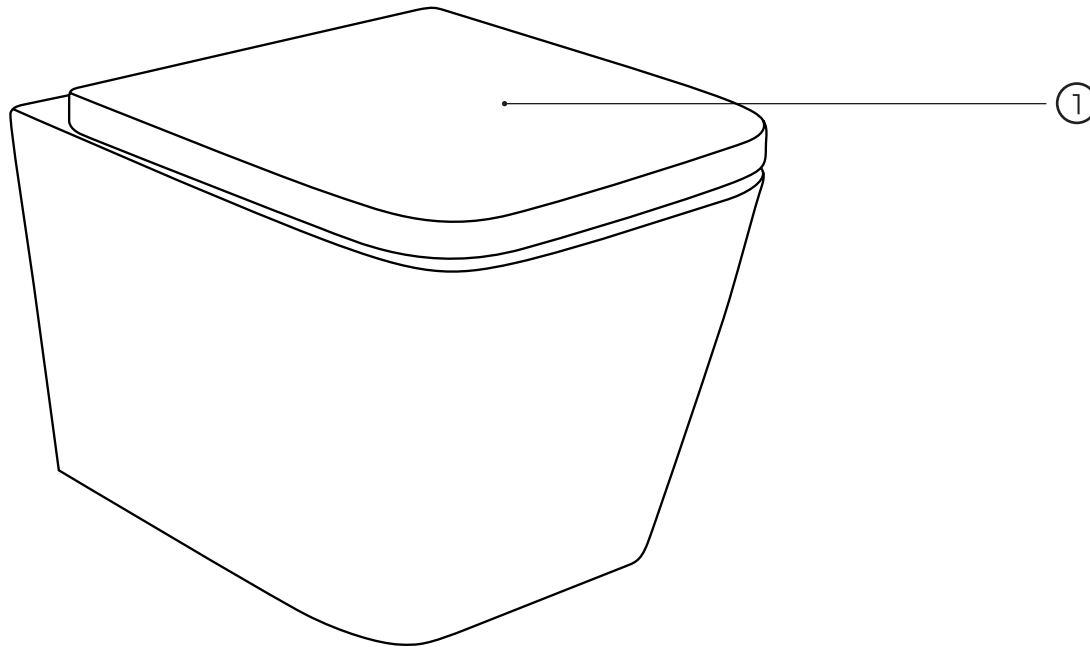


# kielle

# 30111000



No.	Material code	Name	QTY
1	30411000	seat	1
2	30903000	fixation set	1