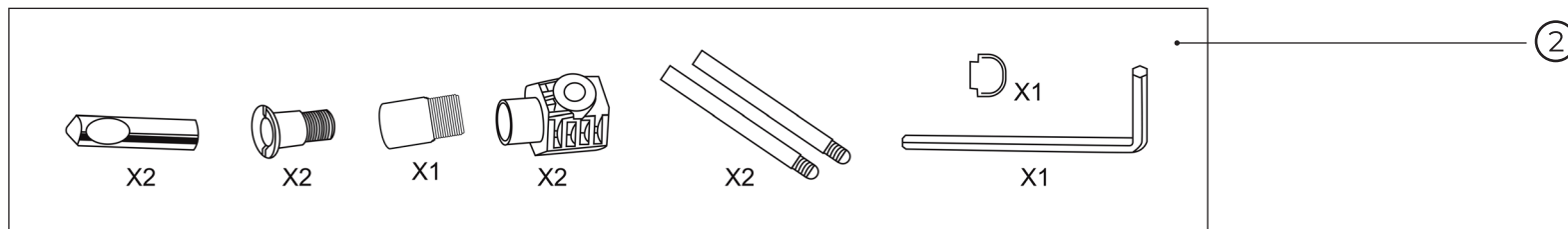
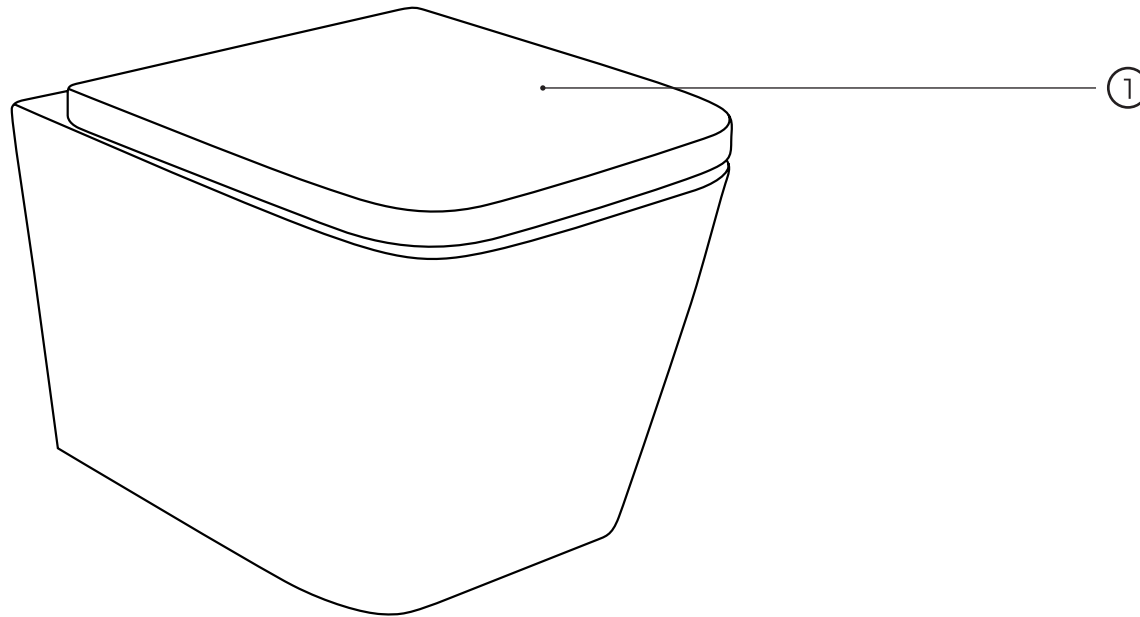


kielle

30111040



No.	Material code	Name	QTY
1	30411040	seat	1
2	30903000	fixation set	1