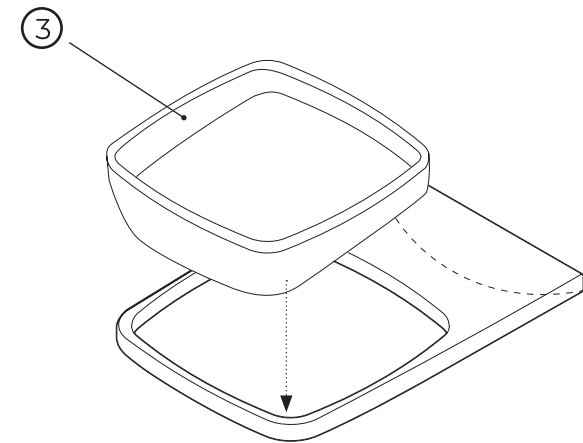
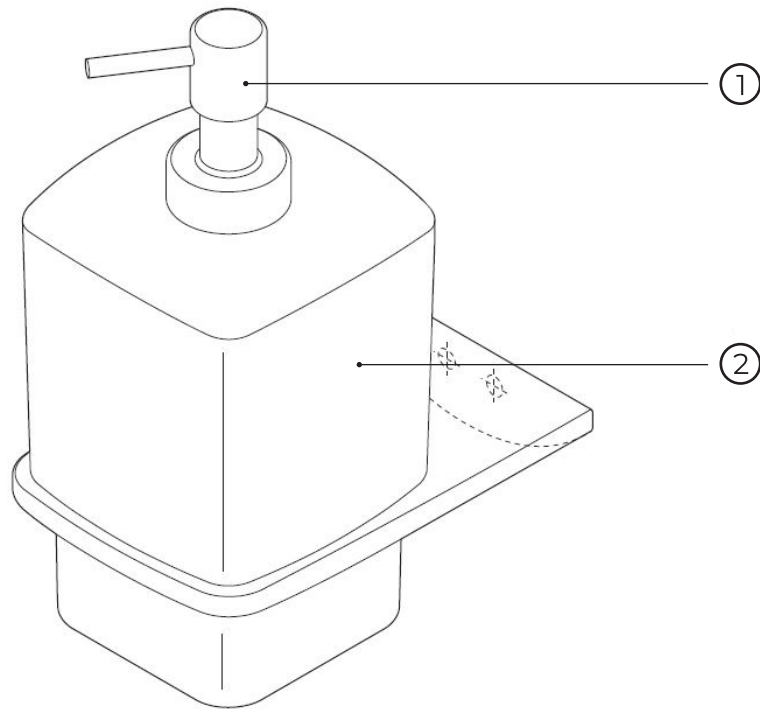


kielle

40118000



No.	Material code	Name	QTY
1	90403160	Soap dispenser pump	1
2	90403140	Soap dispenser container	1
3	90403240	plastic insert for the holder	1