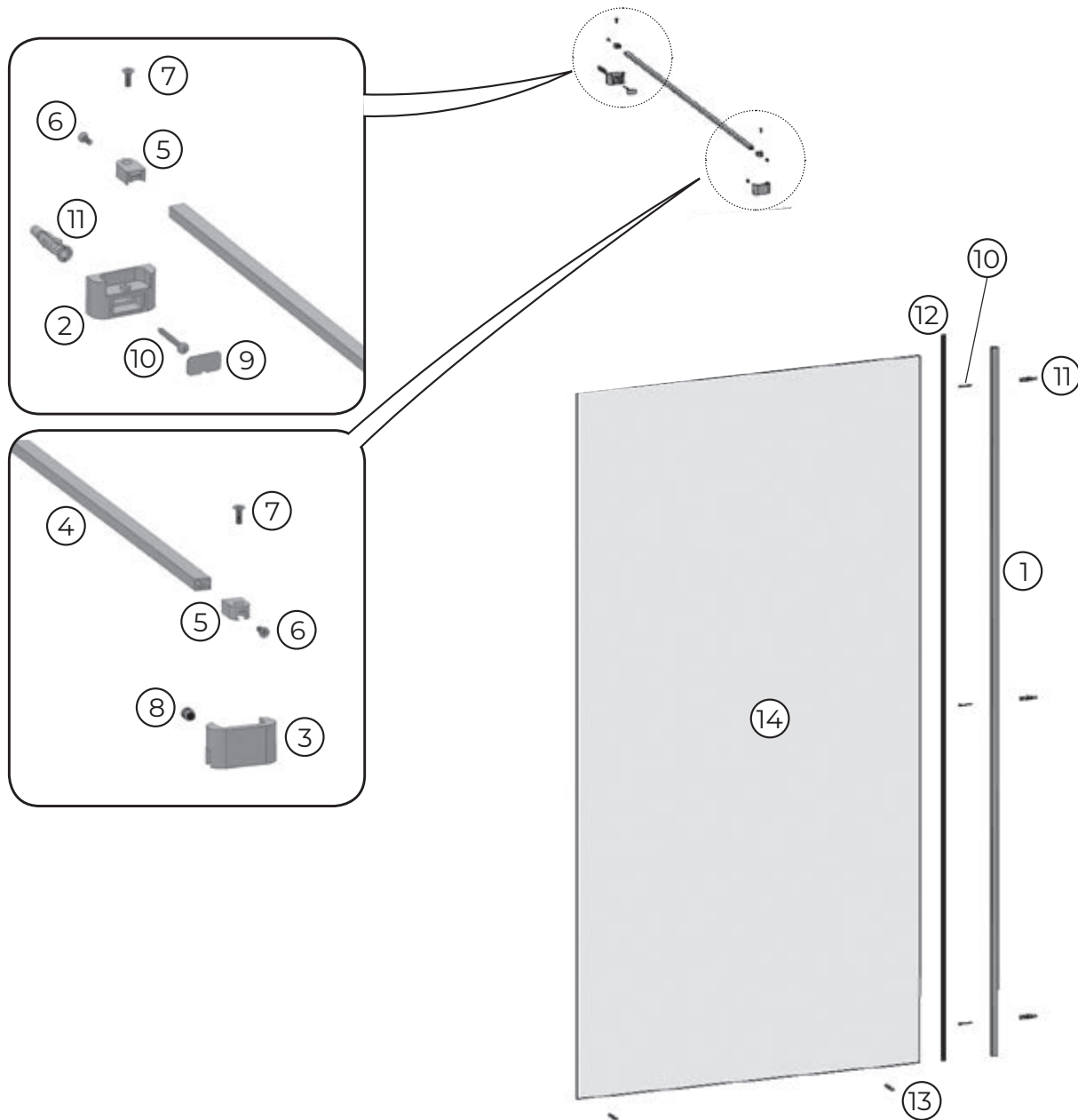


# kielle

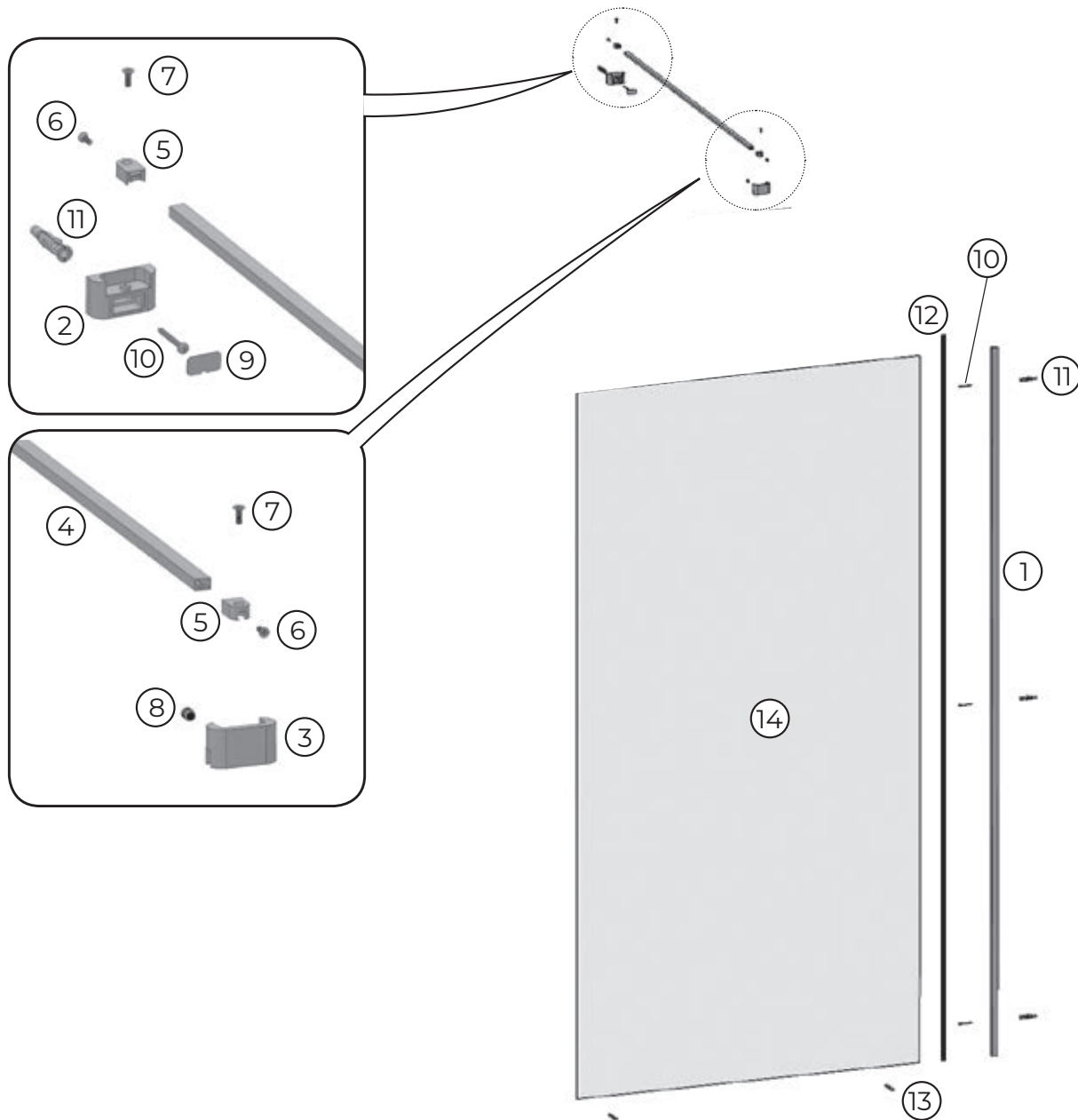
# 20726WI0904



No.	Material code	Name	QTY
1	XVD2340132000	Wall profile	1
2	X3CRPL0100003	Profile attachment – wall	1
3	X3CRPL0110003	Profile attachment – glass	1
4	XVC2550631200	Wall support bar	1
5	X3CRPL0120003	Wall support bar ending	1
6	X97982035130	Screw 3,5 × 13 DIN 7982	2
7	X90965040120	Screw M4 × 12 DIN 965	2
8	X96000080083	Screw 8 × 8 DIN 913	1
9	X3CR00100103	Wall support bar cover	1
10	X94000040400	Dowel screw 4 × 40 DIN 96	4
11	X20600080000	Dowel SX 8 FISCHER	4
12	X8H286900100	Glazing profile	1
13	X8H893000100	Plastic profile	2
14	X4Z160J97892W	Glass 6,0 × 1997 × 892	1

# kielle

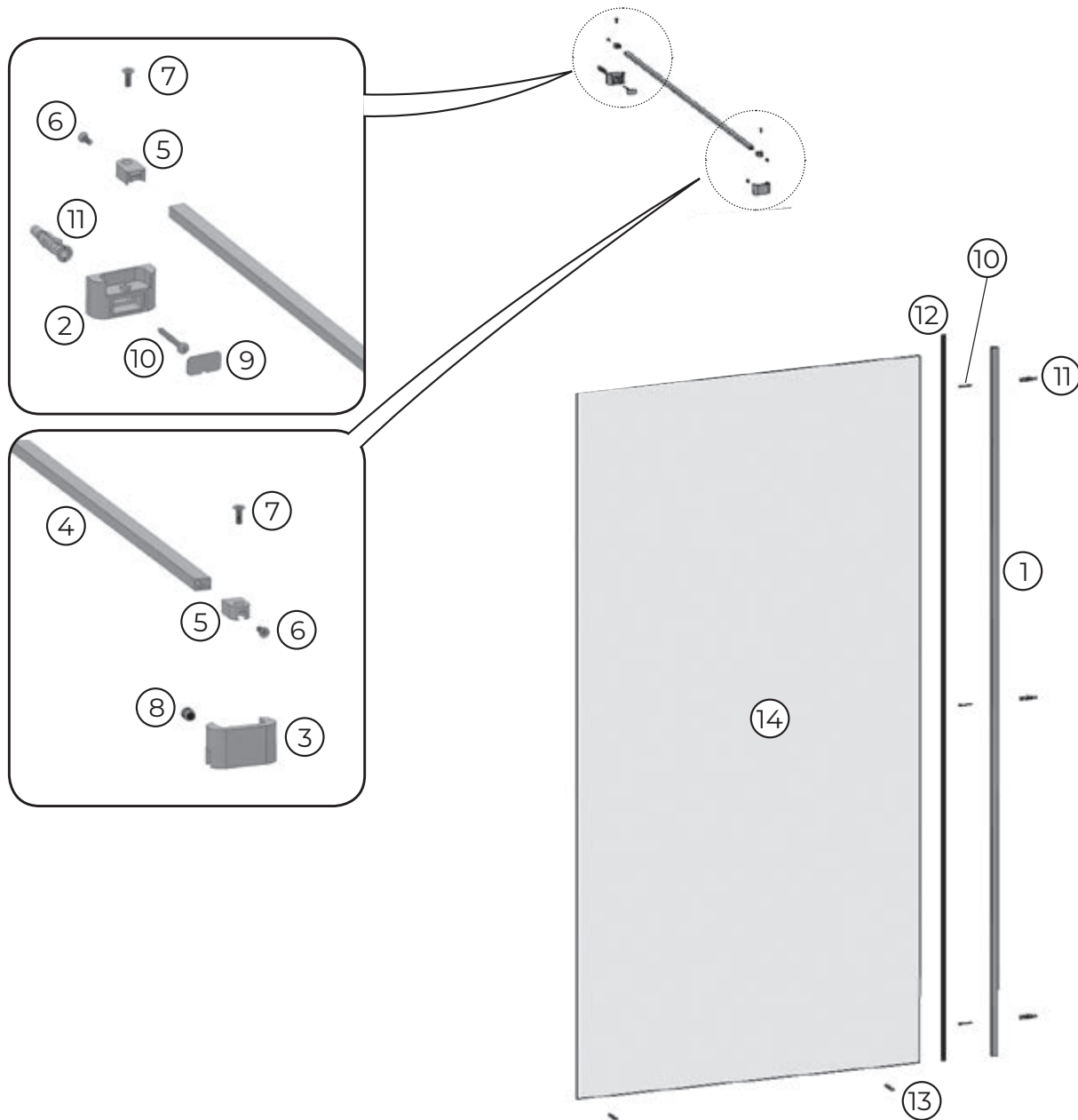
# 20726WI1004



No.	Material code	Name	QTY
1	XVD2340132000	Wall profile	1
2	X3CRPL0100003	Profile attachment - wall	1
3	X3CRPL0110003	Profile attachment - glass	1
4	XVC2550631200	Wall support bar	1
5	X3CRPL0120003	Wall support bar ending	1
6	X97982035130	Screw 3,5 × 13 DIN 7982	2
7	X90965040120	Screw M4 × 12 DIN 965	2
8	X96000080083	Screw 8 × 8 DIN 913	1
9	X3CR00100103	Wall support bar cover	1
10	X94000040400	Dowel screw 4 × 40 DIN 96	4
11	X20600080000	Dowel SX 8 FISCHER	4
12	X8H286900100	Glazing profile	1
13	X8H893000100	Plastic profile	2
14	X4Z160J97992W	Glass 6,0 × 1997 × 992	1

# kielle

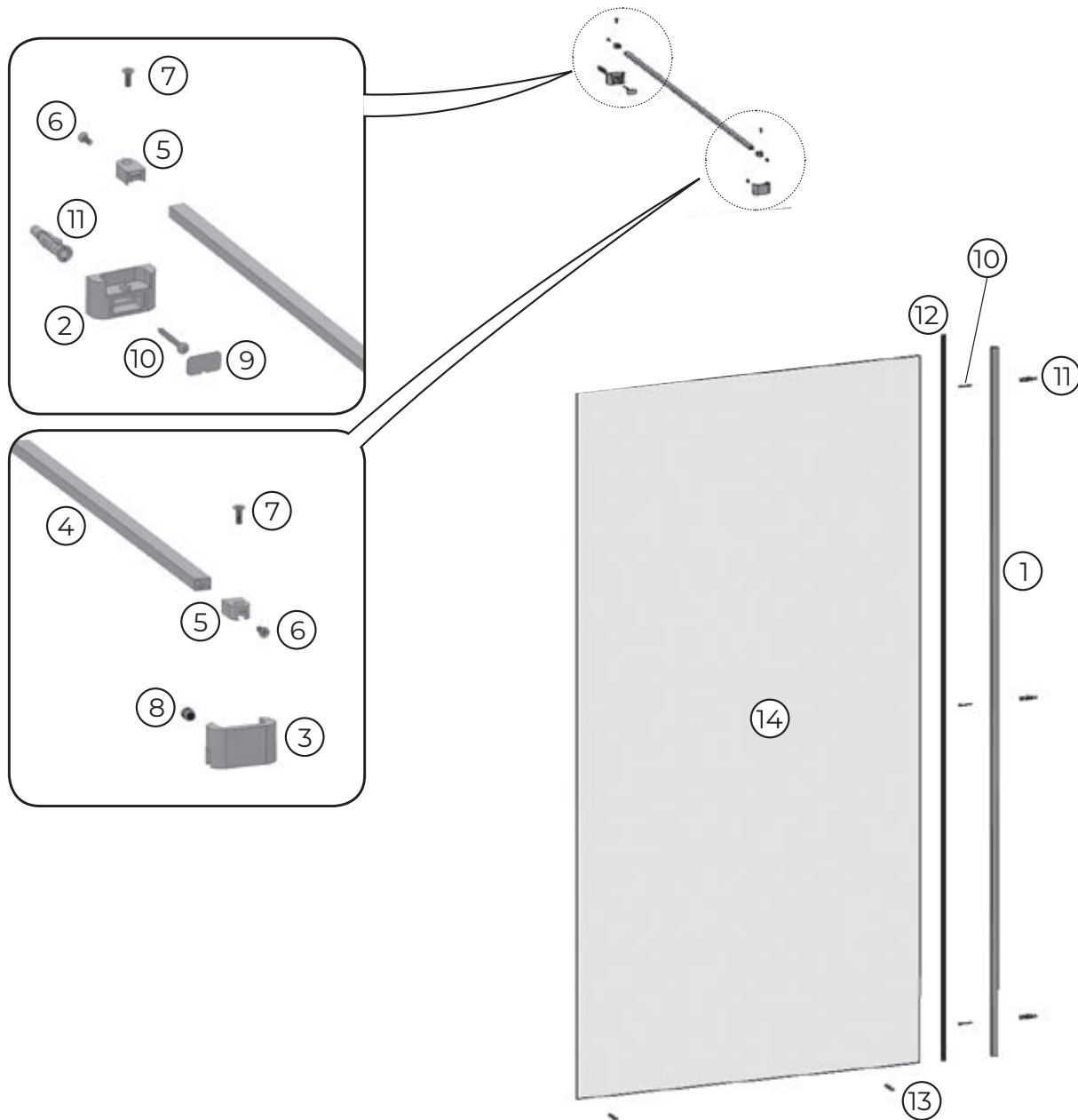
# 20726WI1104



No.	Material code	Name	QTY
1	XVD2340132000	Wall profile	1
2	X3CRPL0100003	Profile attachment - wall	1
3	X3CRPL0110003	Profile attachment - glass	1
4	XVC2550631200	Wall support bar	1
5	X3CRPL0120003	Wall support bar ending	1
6	X97982035130	Screw 3,5 × 13 DIN 7982	2
7	X90965040120	Screw M4 × 12 DIN 965	2
8	X96000080083	Screw 8 × 8 DIN 913	1
9	X3CR00100103	Wall support bar cover	1
10	X94000040400	Dowel screw 4 × 40 DIN 96	4
11	X20600080000	Dowel SX 8 FISCHER	4
12	X8H286900100	Glazing profile	1
13	X8H893000100	Plastic profile	2
14	X4Z160J97A92W	Glass 6,0 × 1997 × 1092	1

# kielle

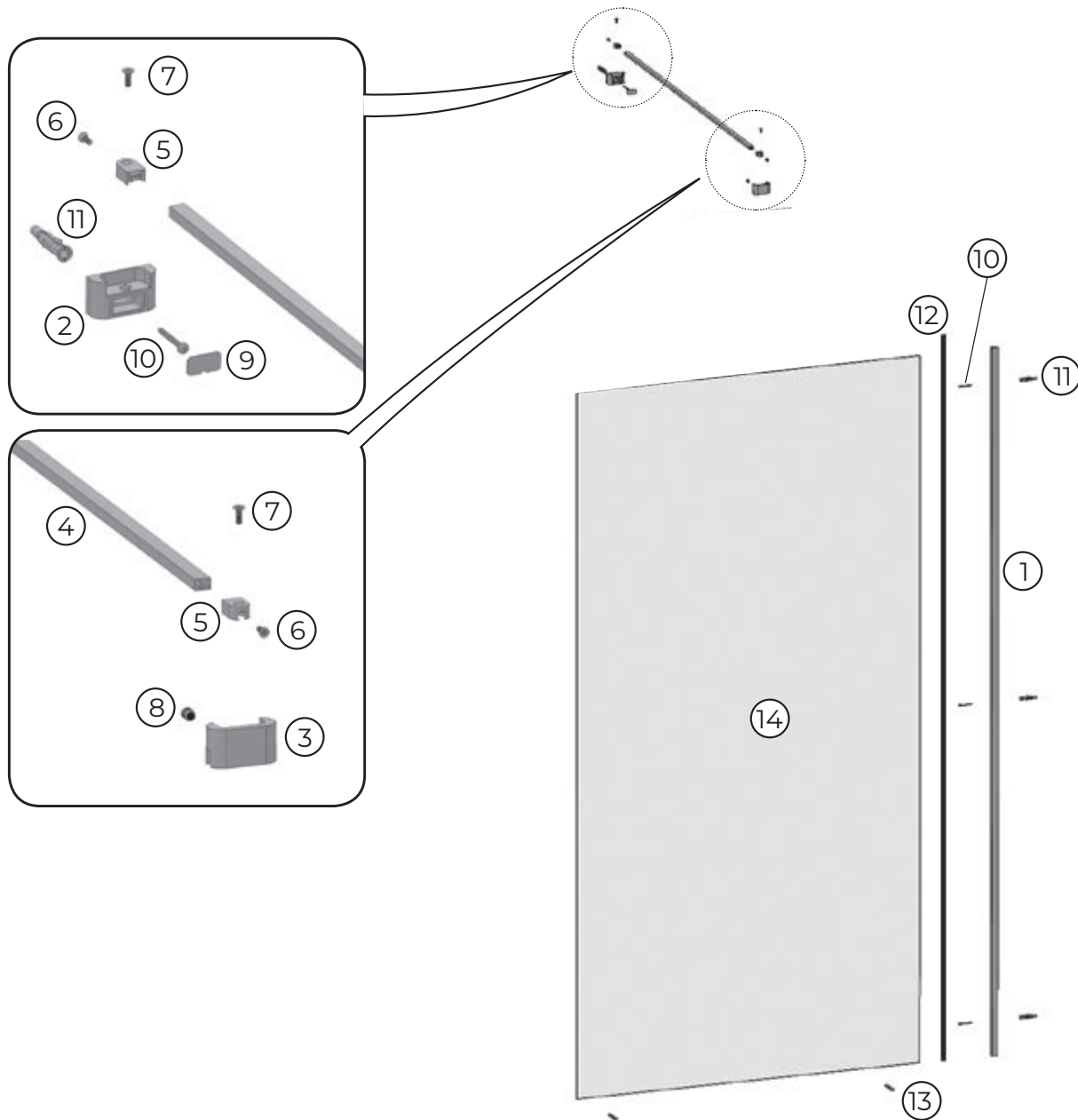
# 20726WI1204



No.	Material code	Name	QTY
1	XVD2340132000	Wall profile	1
2	X3CRPL0100003	Profile attachment - wall	1
3	X3CRPL0110003	Profile attachment - glass	1
4	XVC2550631200	Wall support bar	1
5	X3CRPL0120003	Wall support bar ending	1
6	X97982035130	Screw 3,5 × 13 DIN 7982	2
7	X90965040120	Screw M4 × 12 DIN 965	2
8	X96000080083	Screw 8 × 8 DIN 913	1
9	X3CR00100103	Wall support bar cover	1
10	X94000040400	Dowel screw 4 × 40 DIN 96	4
11	X20600080000	Dowel SX 8 FISCHER	4
12	X8H286900100	Glazing profile	1
13	X8H893000100	Plastic profile	2
14	X4Z160J97B92W	Glass 6,0 × 1997 × 1192	1

# kielle

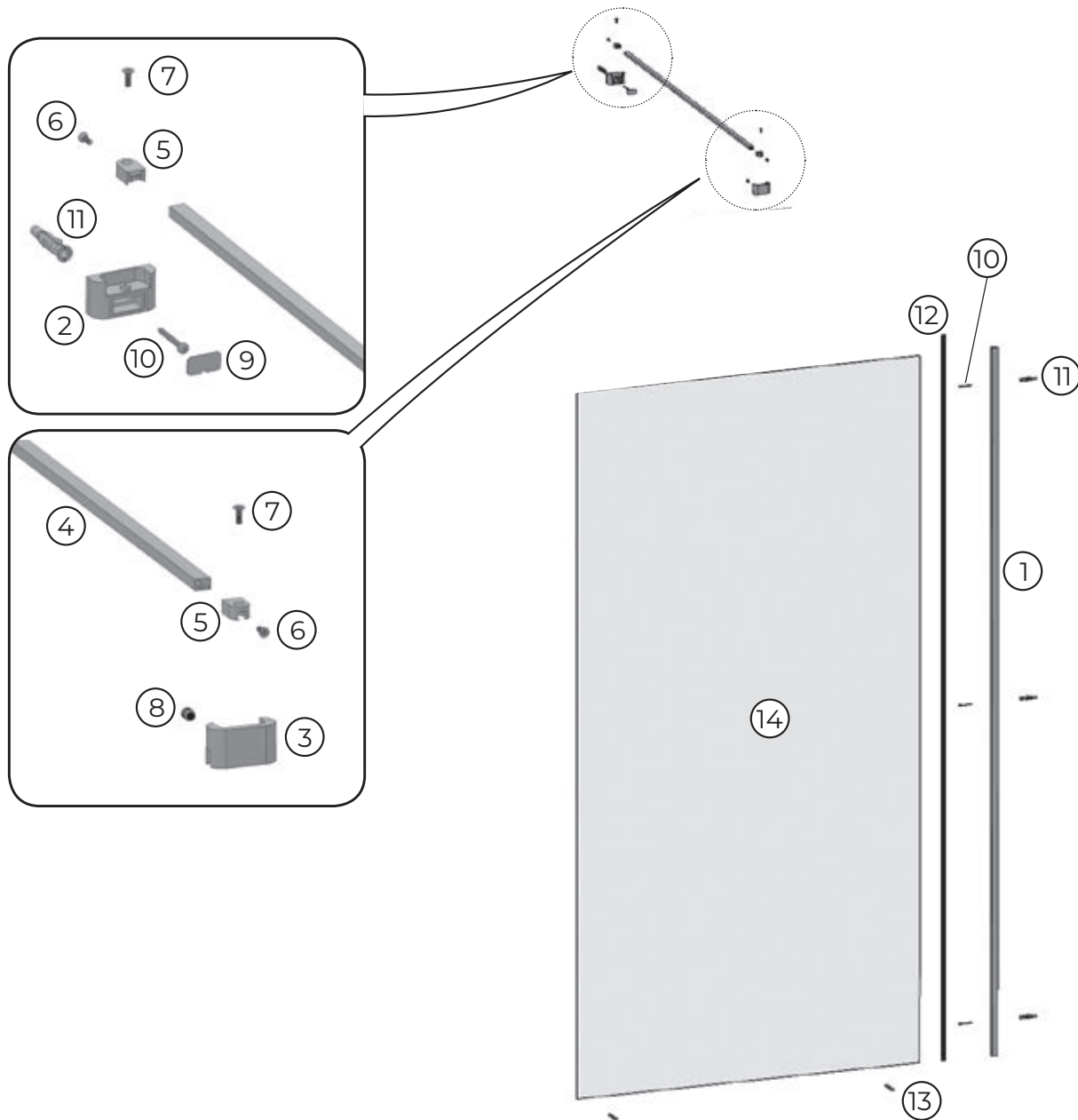
# 20726WI0900



No.	Material code	Name	QTY
1	XVD23401U2000	Wall profile	1
2	X3CRPL010000A	Profile attachment - wall	1
3	X3CRPL011000A	Profile attachment - glass	1
4	XVC25506U1200	Wall support bar	1
5	X3CRPL012000A	Wall support bar ending	1
6	X97982035130	Screw 3,5 × 13 DIN 7982	2
7	X90965040120	Screw M4 × 12 DIN 965	2
8	X96000080080	Screw 8 × 8 DIN 913	1
9	X3CR0010010Z	Wall support bar cover	1
10	X94000040400	Dowel screw 4 × 40 DIN 96	4
11	X20600080000	Dowel SX 8 FISCHER	4
12	X8H286900100	Glazing profile	1
13	X8H893000100	Plastic profile	2
14	X4Z160J97892W	Glass 6,0 × 1997 × 892	1

# kielle

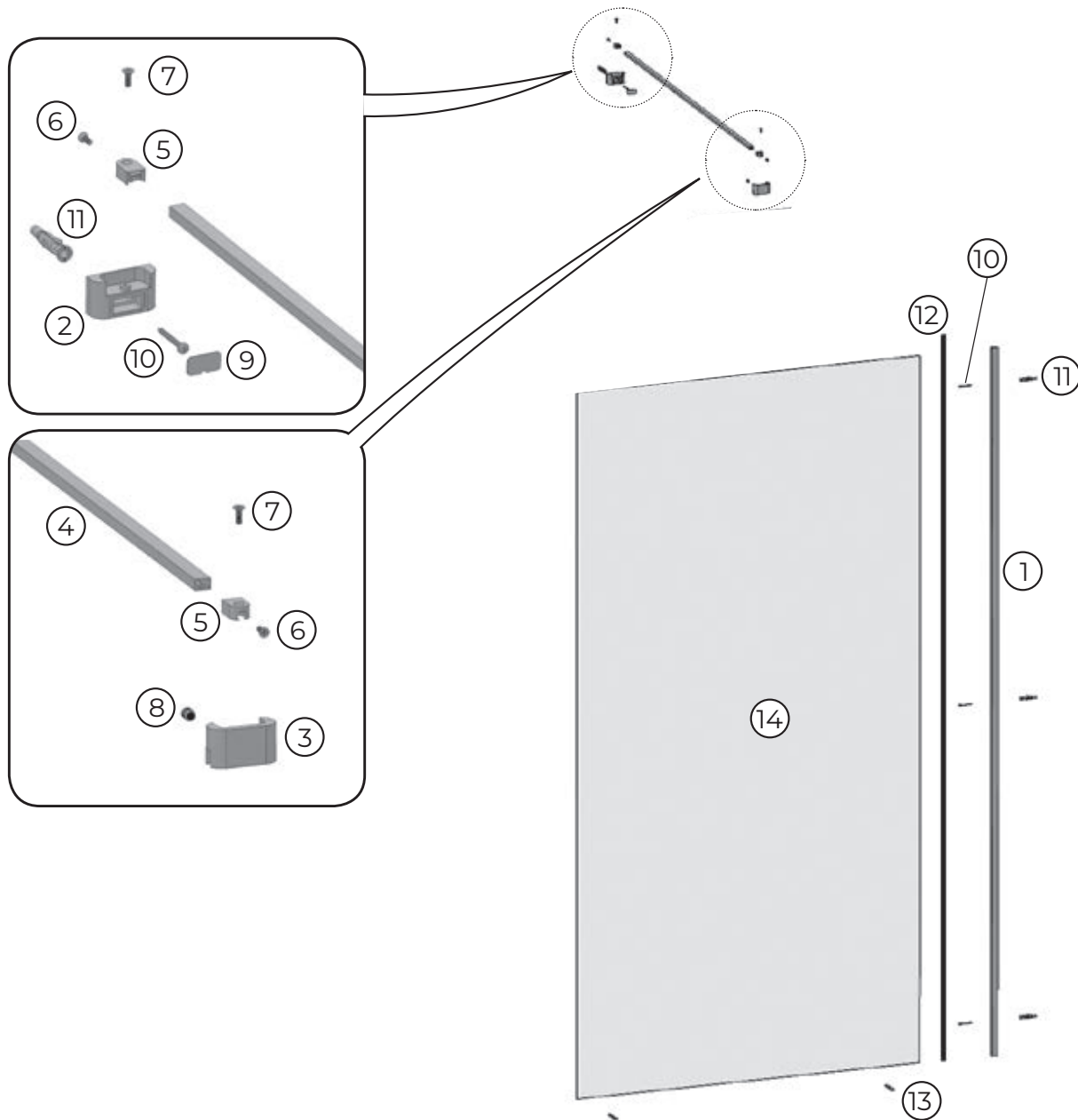
# 20726WI1000



No.	Material code	Name	QTY
1	XVD23401U2000	Wall profile	1
2	X3CRPL010000A	Profile attachment – wall	1
3	X3CRPL011000A	Profile attachment – glass	1
4	XVC25506U1200	Wall support bar	1
5	X3CRPL012000A	Wall support bar ending	1
6	X97982035130	Screw 3,5 × 13 DIN 7982	2
7	X90965040120	Screw M4 × 12 DIN 965	2
8	X96000080080	Screw 8 × 8 DIN 913	1
9	X3CR0010010Z	Wall support bar cover	1
10	X94000040400	Dowel screw 4 × 40 DIN 96	4
11	X20600080000	Dowel SX 8 FISCHER	4
12	X8H286900100	Glazing profile	1
13	X8H893000100	Plastic profile	2
14	X4Z160J97992W	Glass 6,0 × 1997 × 992	1

# kielle

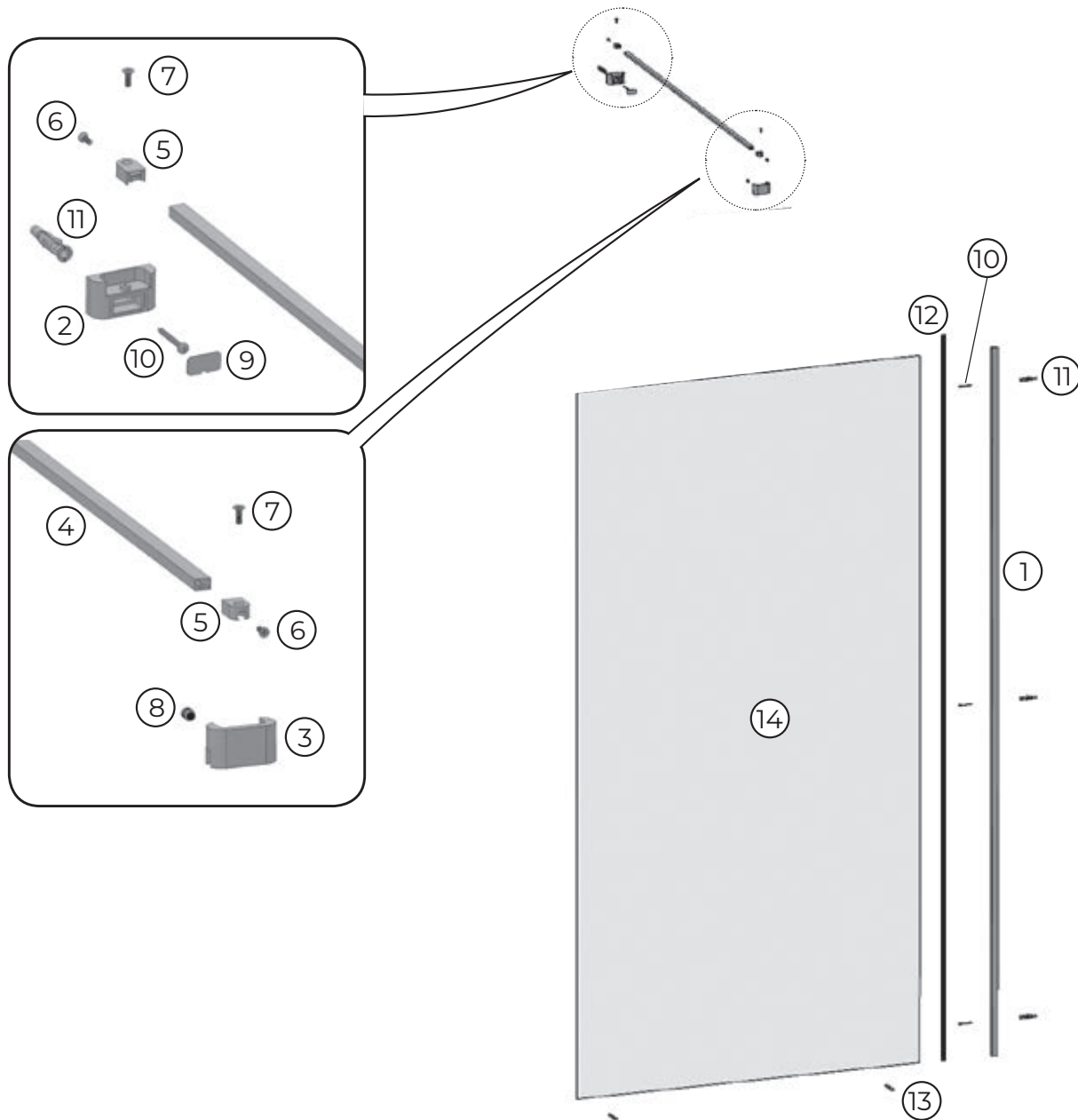
# 20726WI1100



No.	Material code	Name	QTY
1	XVD23401U2000	Wall profile	1
2	X3CRPL010000A	Profile attachment - wall	1
3	X3CRPL011000A	Profile attachment - glass	1
4	XVC25506U1200	Wall support bar	1
5	X3CRPL012000A	Wall support bar ending	1
6	X97982035130	Screw 3,5 × 13 DIN 7982	2
7	X90965040120	Screw M4 × 12 DIN 965	2
8	X96000080080	Screw 8 × 8 DIN 913	1
9	X3CR0010010Z	Wall support bar cover	1
10	X94000040400	Dowel screw 4 × 40 DIN 96	4
11	X20600080000	Dowel SX 8 FISCHER	4
12	X8H286900100	Glazing profile	1
13	X8H893000100	Plastic profile	2
14	X4Z160J97A92W	Glass 6,0 × 1997 × 1092	1

# kielle

# 20726WI1200



No.	Material code	Name	QTY
1	XVD23401U2000	Wall profile	1
2	X3CRPL010000A	Profile attachment – wall	1
3	X3CRPL011000A	Profile attachment – glass	1
4	XVC25506U1200	Wall support bar	1
5	X3CRPL012000A	Wall support bar ending	1
6	X97982035130	Screw 3,5 × 13 DIN 7982	2
7	X90965040120	Screw M4 × 12 DIN 965	2
8	X96000080080	Screw 8 × 8 DIN 913	1
9	X3CR0010010Z	Wall support bar cover	1
10	X94000040400	Dowel screw 4 × 40 DIN 96	4
11	X20600080000	Dowel SX 8 FISCHER	4
12	X8H286900100	Glazing profile	1
13	X8H893000100	Plastic profile	2
14	X4Z160J97B92W	Glass 6,0 × 1997 × 1192	1