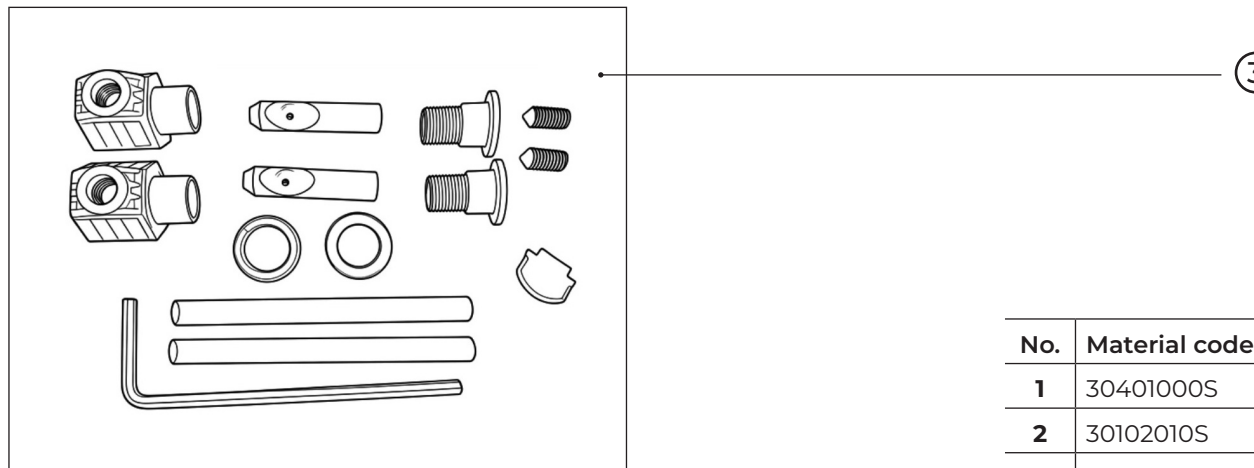
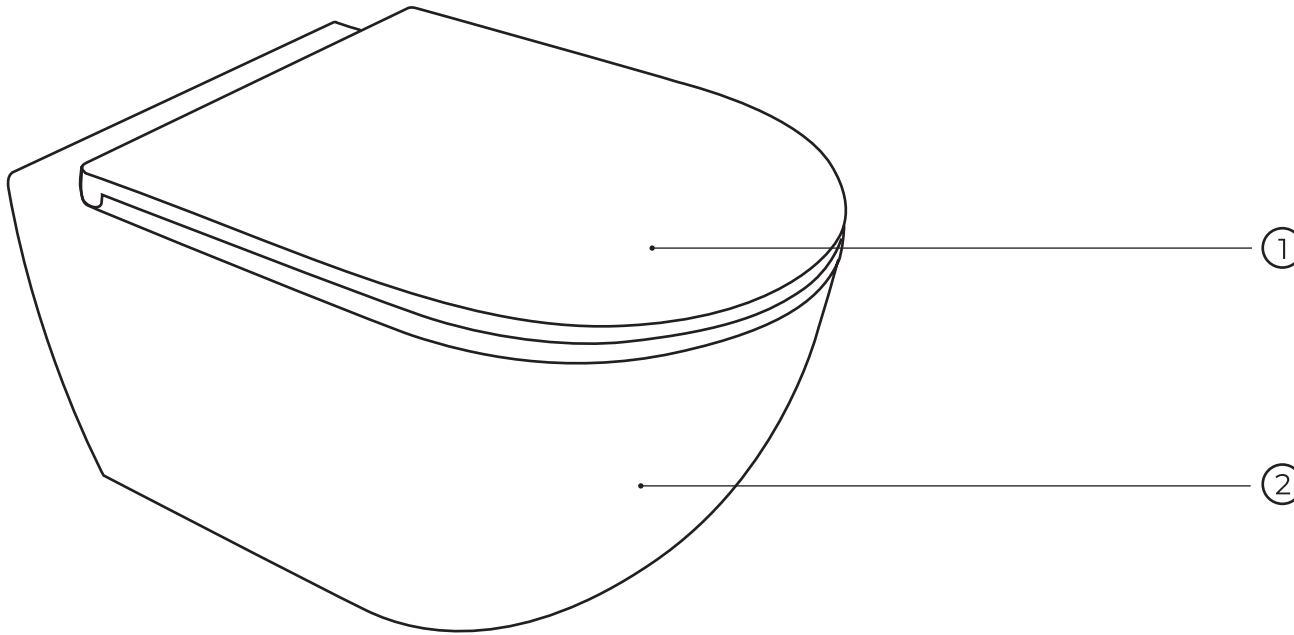


kielle

30102010S-SET1



No.	Material code	Name	QTY
1	30401000S	seat	1
2	30102010S	toilet bowl	1
3	30903002	fixation set	1