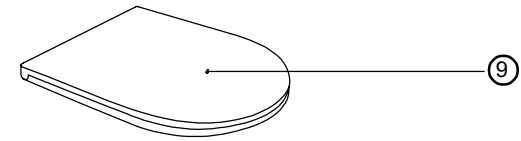
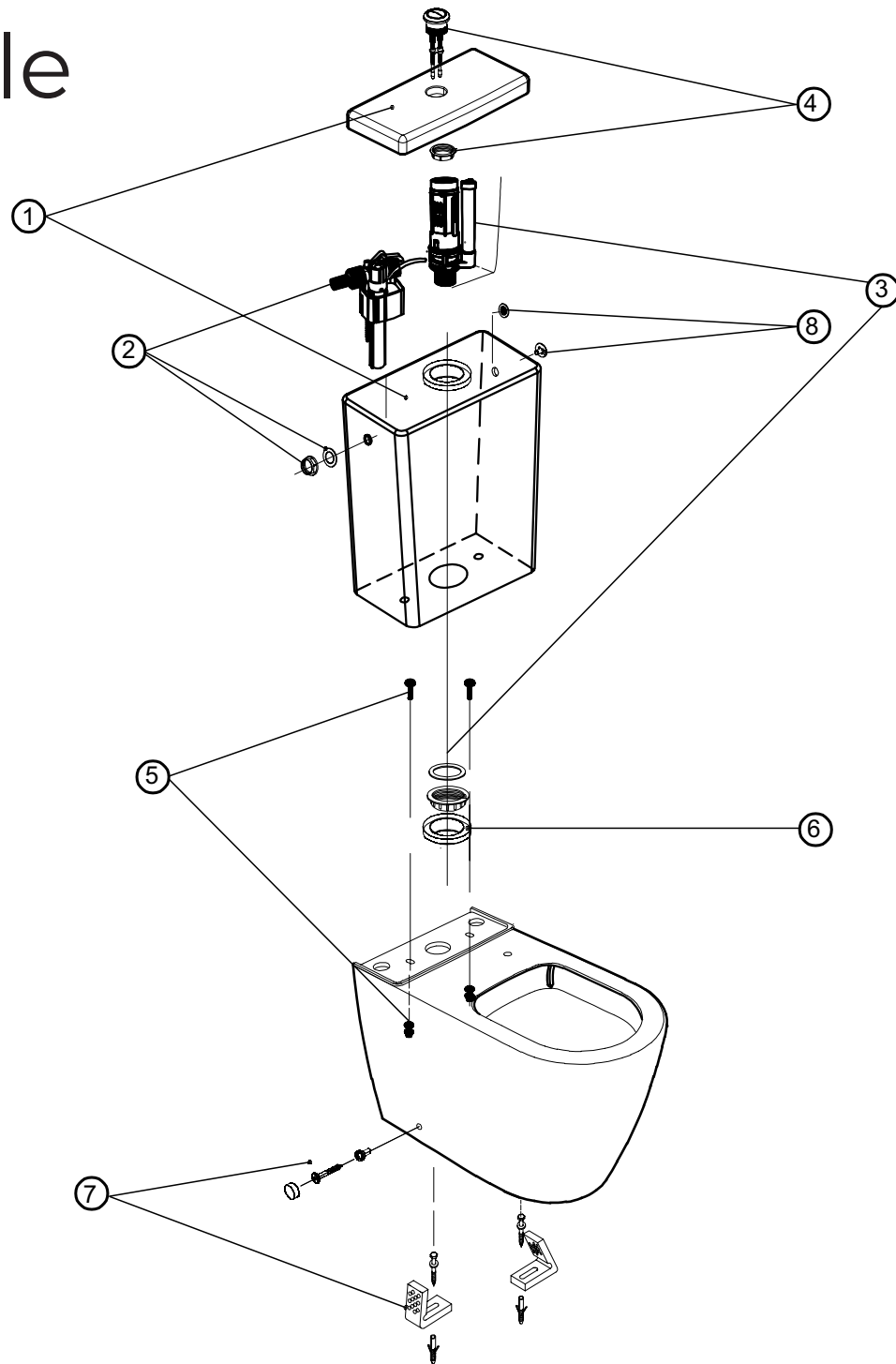


# kielle

# 30202010



No.	Material code	Name	QTY
1	90303ND0	Tank	1
2	90303ND1	Inlet valve	1
3	90303ND2	Outlet valve	1
4	90303ND3	Flushing button	1
5	90303ND4	Fixing screw	2
6	90303ND5	Gasket	1
7	90303ND6	Floor fixing kit	2
8	90303ND7	Hole cap plastic	1
9	90303ND8	Seat cover	1