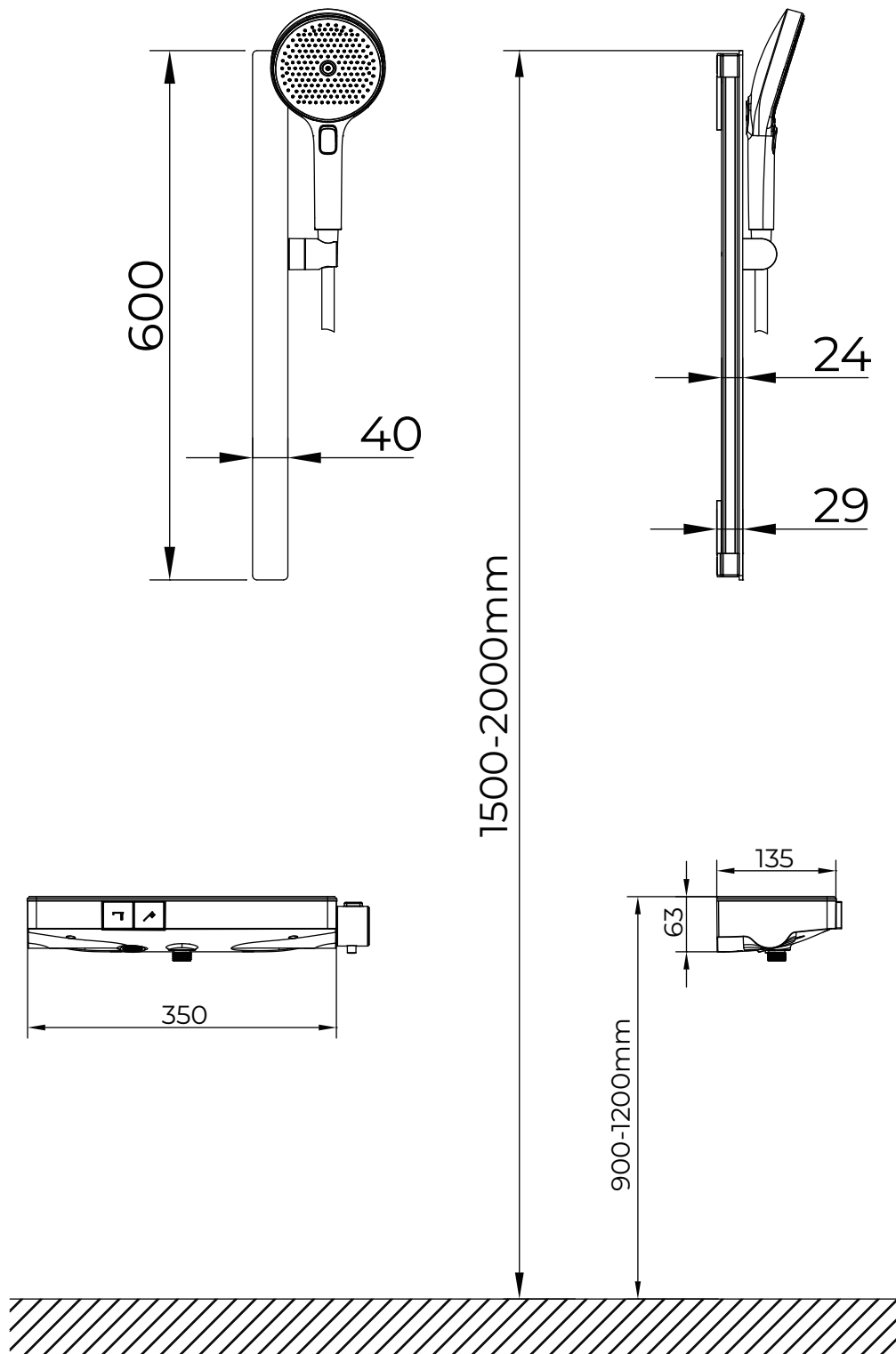




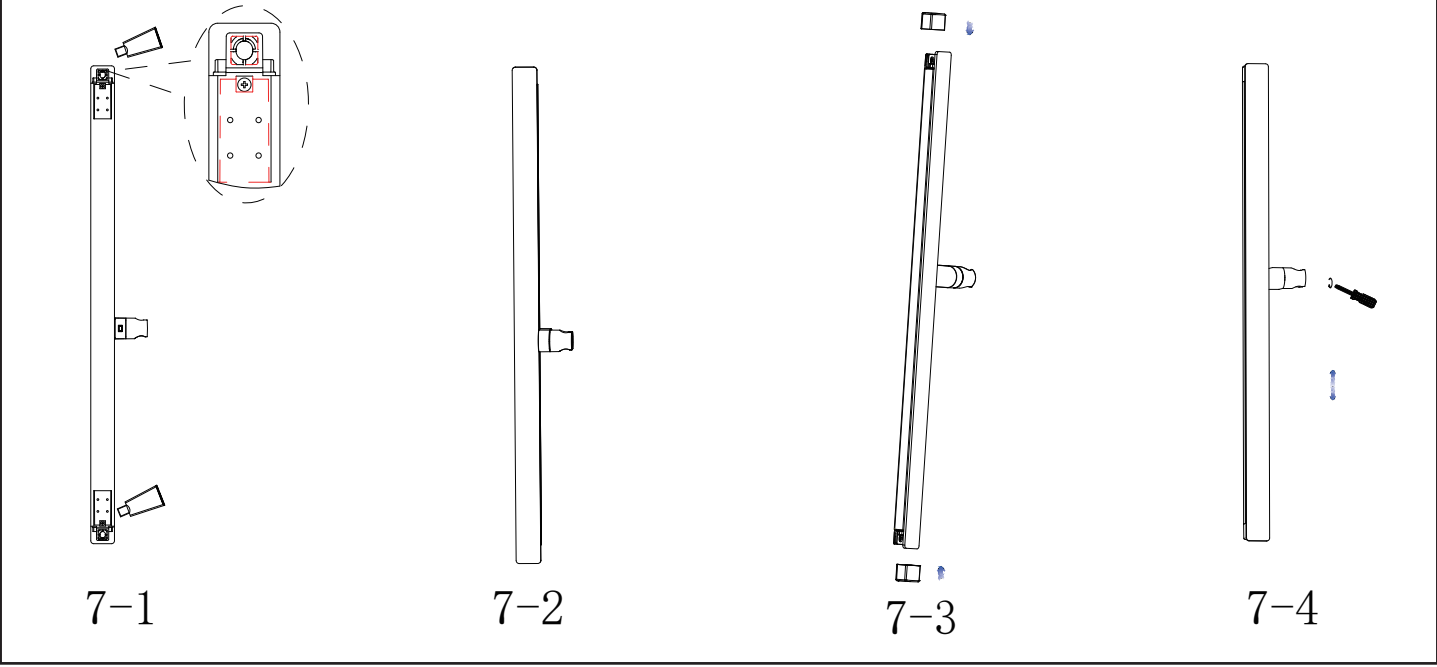
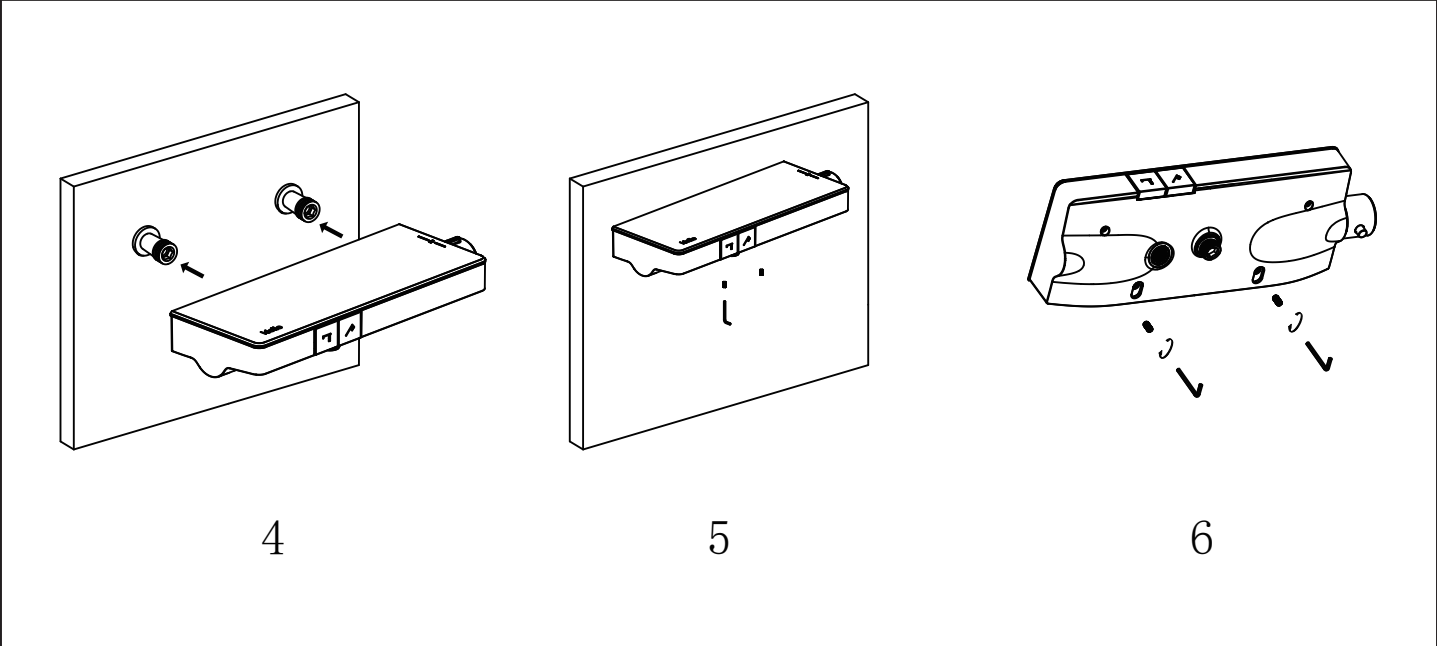
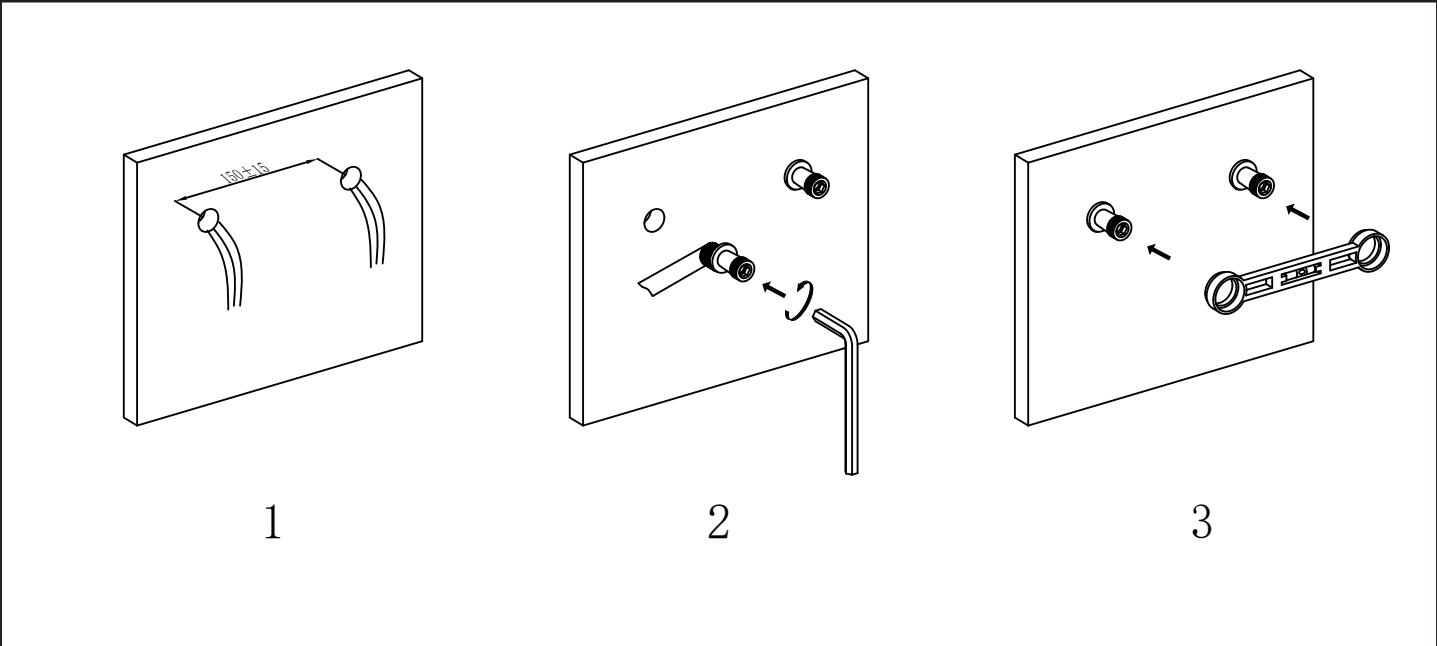


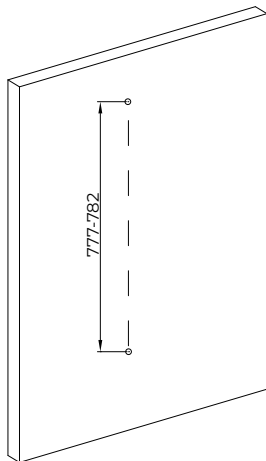
# kielle



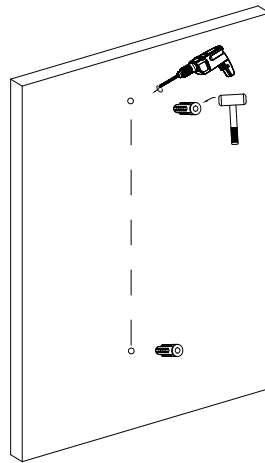
	<b>bar</b>
0,5 	max. 10 
	5 
	1 

	<b>°C</b>
max. 90°C 	 65°C 

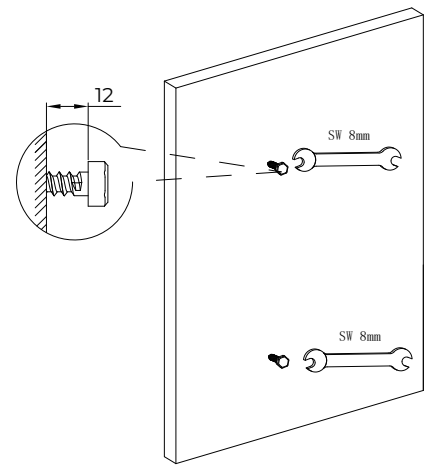




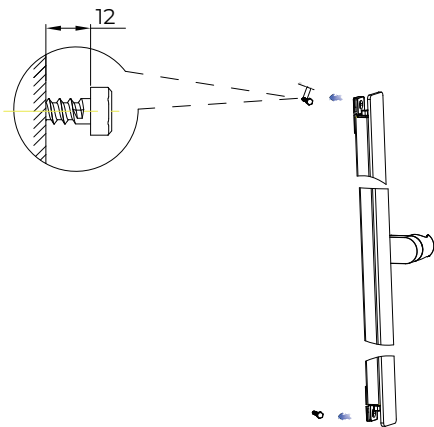
8-1



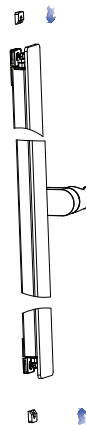
8-2



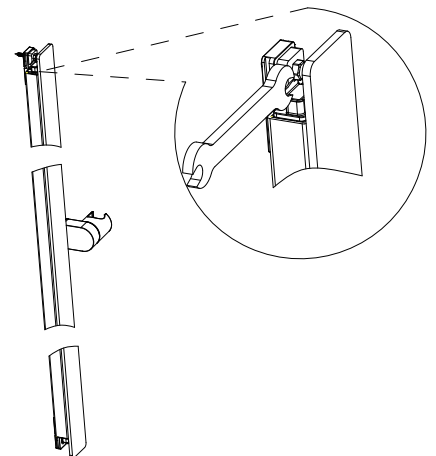
8-3



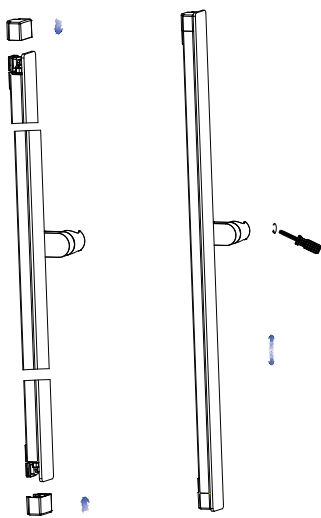
8-4



8-5



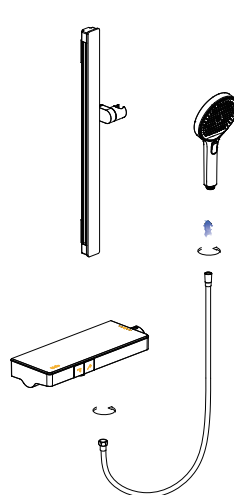
8-6



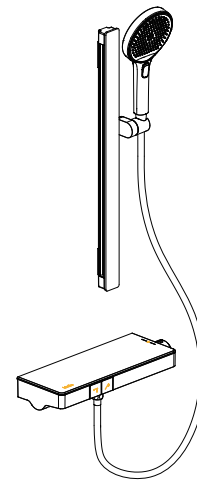
8-7



8-8

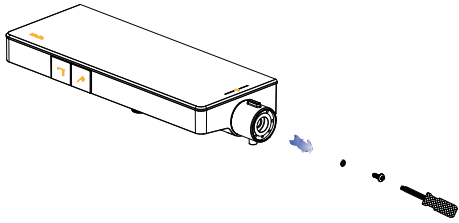


9

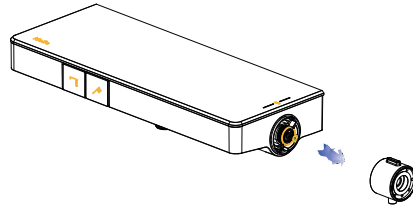


10

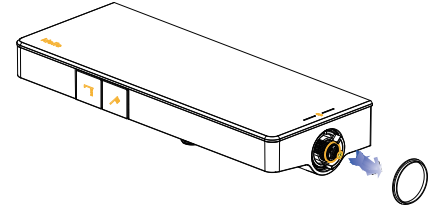
Kind reminder: The following disassembly and debugging should be operated by professional personnel, non-professional personnel are forbidden to disassemble



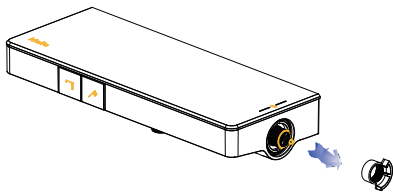
13



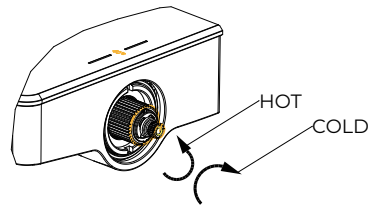
13-1



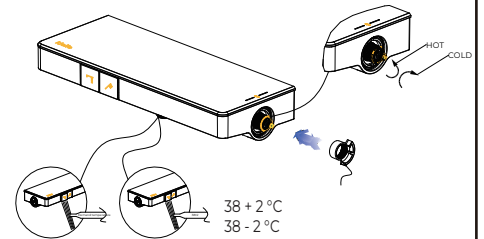
13-2



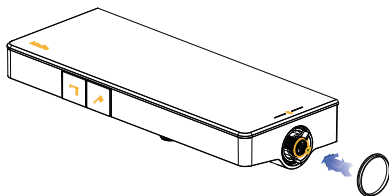
13-3



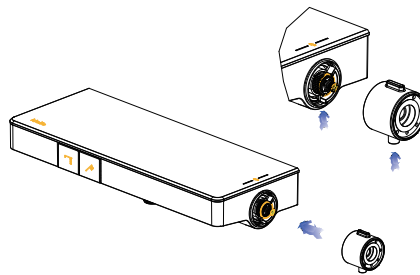
13-4



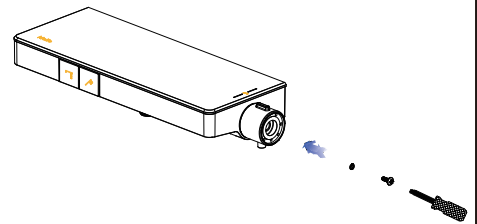
13-5



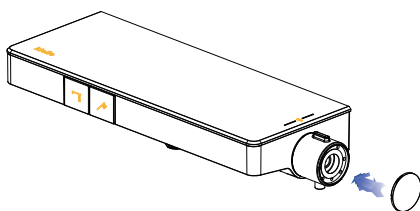
13-6



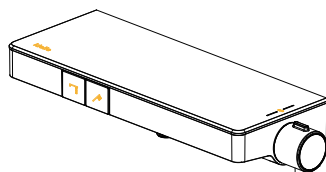
13-7



13-8



13-9



13-10

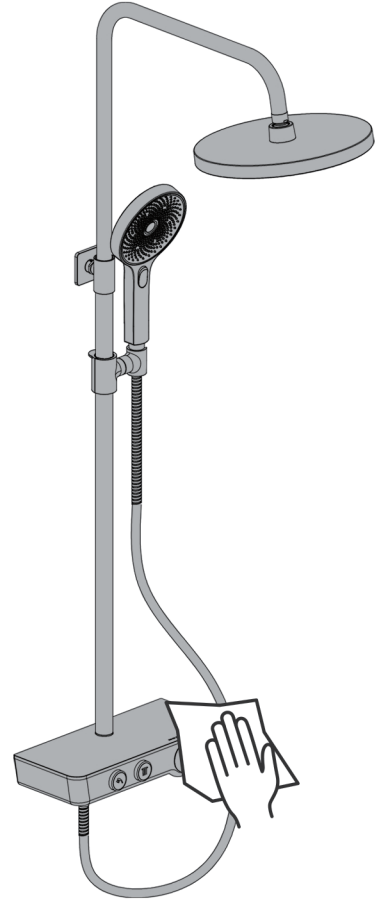
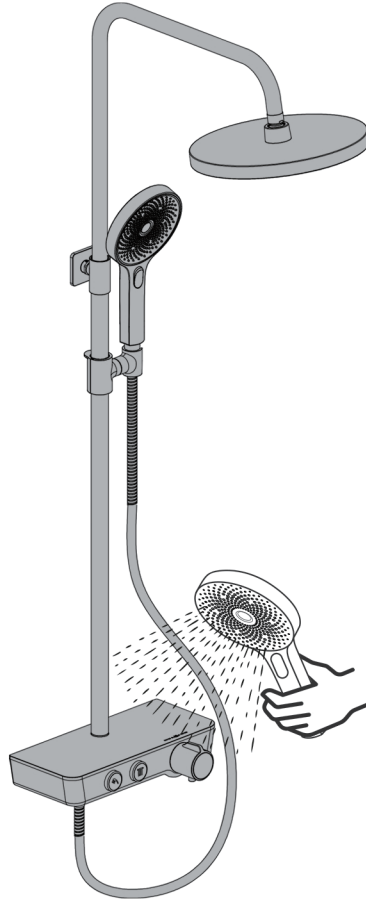
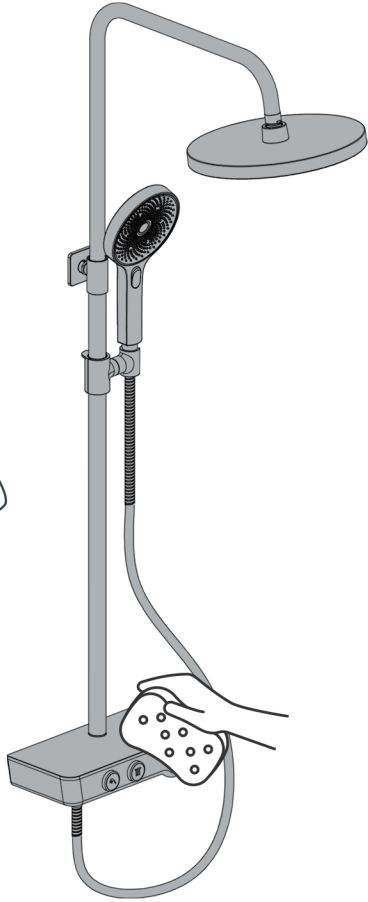
# kielle

2.

3.

4.

1.

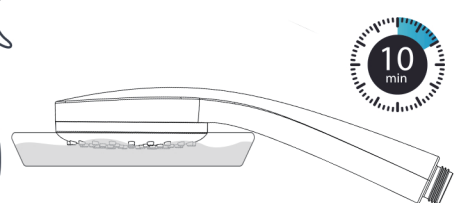
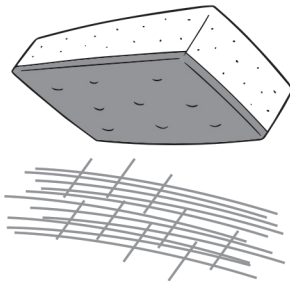
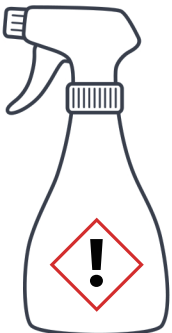
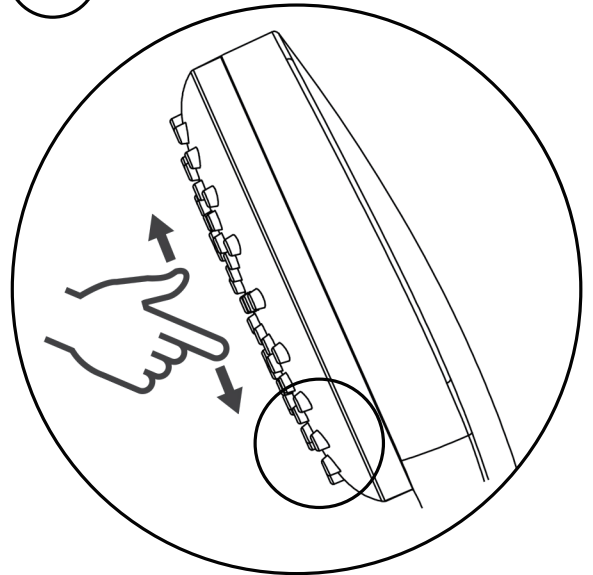


1.



2.

TIPS



10 min